



LPS 7i Battery Pack

Manual

Content

Specifications

Description

Package Contents

Precautions

Recommendations for Use

Battery Charging

Legal Compliances and Disclaimers

Specifications

LPS 7i

| SKU | 79187 |
|---|--|
| Type | Li-Ion |
| Nominal capacity at +22°C (72°F), mAh | 6400 |
| Rated output voltage, V | 3.7 |
| Input voltage/charge rate (wired charging) | PPS 6-8.5 V □ 3 A; 5 V □ 3 A |
| Charge/discharge cycles, minimum* | 300 |
| Charge/discharge ambient temperature, °C (°F) | 0...+35/- 25...+50 (+32...+95/- 13...+122) |
| Dimensions, mm / inch | 79x31x43 / 3.11x1.22x1.69 |
| Weight, kg / oz | 0.13 / 4.59 |

* Once reached the specified limit, the battery capacity may drop to 80%. This is normal and not a defect.

Description

LPS 7i rechargeable lithium-ion power supplies are designed for use with Pulsar Telos thermal imaging devices. Batteries support USB Power Delivery fast charging technology when using a standard charging set from Pulsar (USB Type-C cable, power adapter). LPS 7i batteries also support wireless charging.

Package Contents

- Battery
- Protective cover
- Operating Manual
- Warranty card

Precautions

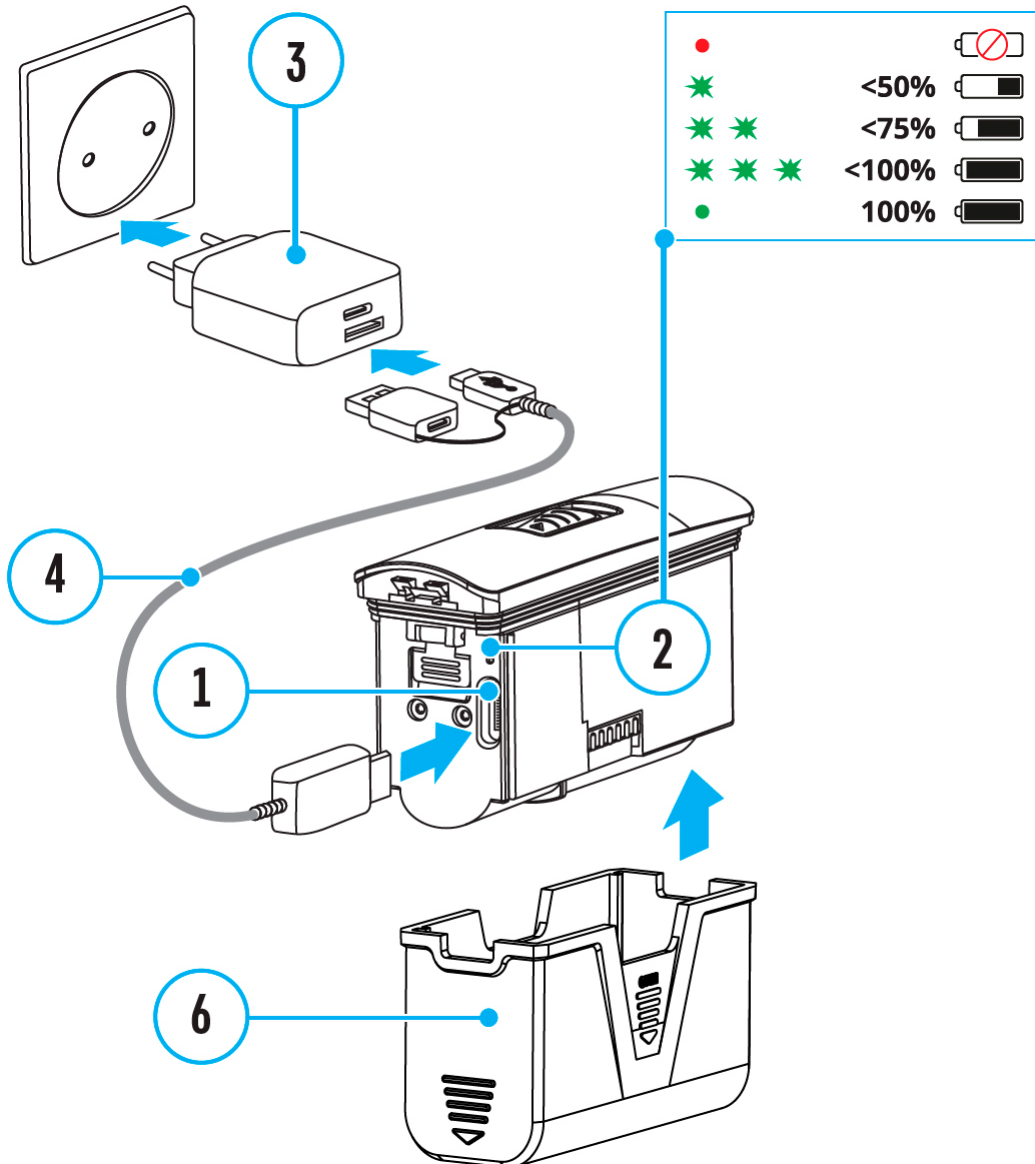
- It is not recommended to charge the battery with the USB cable and wireless charger at the same time. This will not increase the charge rate and may damage the battery.
- Use the USB Type-C cable and power adapter supplied with the device (or purchased separately) to charge the LPS 7i batteries.
- Follow the safety precautions described in its Manual when using the wireless charger.
- Do not place any foreign objects between the battery and wireless charger platform.
- Do not charge the battery immediately after bringing it from cold to warm. Wait at least 30 minutes for the battery to warm up.
- Do not leave the battery unattended while charging.
- Do not use the power adapter and wireless charger if they have been modified or damaged.
- Do not leave the battery plugged in after charging is complete.
- Do not expose the battery to high temperatures and naked flame.
- Do not use the battery as a power source for devices that do not support LPS 7i batteries.
- Do not disassemble or deform the battery.
- Do not drop or strike the battery.
- Do not submerge the battery.
- Keep the battery out of the reach of children.

Recommendations for Use

- The battery should be partially charged for long-term storage – 50 to 80 %.
- The battery should be charged at an ambient temperature of 0°C...+35°C (+32°F...+95°F). Otherwise, lifespan of the battery will decrease significantly.
- When using the battery at sub-zero temperatures, the battery capacity decreases, this is normal and not a defect.
- Do not use the battery at temperatures outside the range of -25°C...+50°C (-13°F...+122°F) – this may reduce battery's life.
- The battery has a short-circuit protection. However, any situation that may cause short-circuiting should be avoided.






Battery Charging

USB Charging

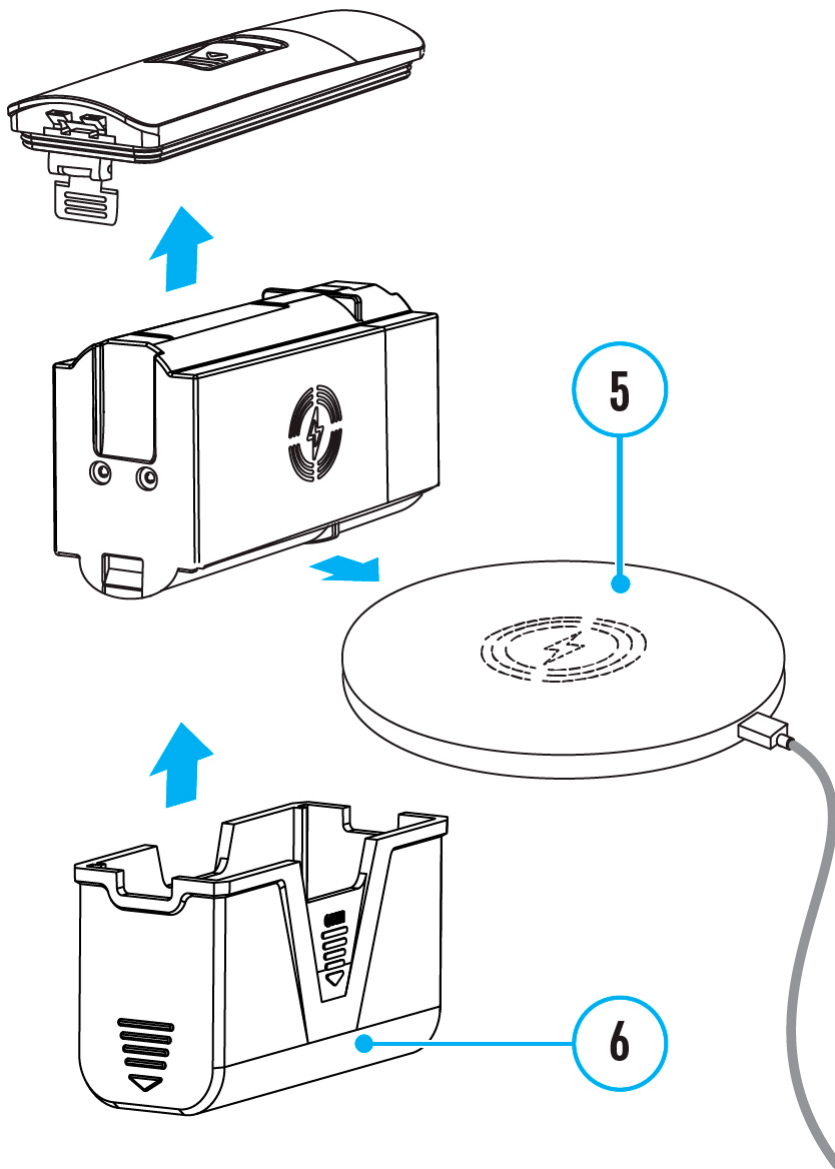



1. Remove the protective cover**(6)**.
2. Connect the plug of the USB Type-C* cable **(4)** to the USB Type-C connector **(1)** of the battery.
3. For fast charging, connect the second end of the USB Type-C cable **(4)** to the Type-C connector of the power adapter* **(3)** by removing the Type-A adapter from the plug. When connected to a computer or a Type-A power adapter, the battery will charge at normal speed.

4. Plug the power adapter **(3)** into a 100-240 V socket.
5. LED **(2)** will display battery charge level (see Table).

| (2) LED indication | Battery charge status |
|---|--|
|  | Battery defective. Do not use the battery! |
|  | Battery charge level is from 0% to 50% |
|  | Battery charge level is from 51% to 75% |
|  | Battery charge level is from 76% to 99% |
|  | Battery completely charged. Charging will automatically stop. The battery can be disconnected. |

WirelessCharging



1. Place the battery with the sign  side on the wireless charger** (5).
. For more efficient wireless charging, align the lightning bolt icon on the battery with the centre of the charger platform (5).
2. Turn on the wireless charger according to its instruction manual.
3. LED (2) will display battery charge level (see Table).

* Purchased separately or supplied as package contents of a device.

** Third party-purchasing. The LPS7i battery works with all Qi standard wireless chargers.

Note: Charging with a USB cable is significantly faster than using a wireless charger.

Legal Compliances and Disclaimers

Updates of the Product. The manufacturer reserves the right at any time, without mandatory prior notice to the Customer, to make changes to the package contents (subject to the applicable laws, if any), design and characteristics that do not impair the quality of the Product.

Repair. warranty for the Battery Pack is one year.

Limitation of Liability. Subject to mandatory applicable laws and regulations: manufacturer will not be liable for any claims, actions, suits, proceedings, costs, expenses, damages or liabilities (if any), arising out of the use of this product. Operation and use of the product are the sole responsibility of the Customer. Manufacturer's sole undertaking is limited to providing the product(s) and related services in accordance with the terms and conditions of concluded transactions, including provisions established in warranty. The provision of products sold and services performed by Manufacturer to the Customer shall not be interpreted, construed, or regarded, either expressly or implied, as being for the benefit of or creating any obligation toward any third party (other than Distributor, Dealer, Buyer). Manufacturer's liability hereunder for damages, regardless of the form or action, shall not exceed the fees or other charges paid to Manufacturer for the product(s) and/or service(s).

MANUFACTURER WILL NOT BE LIABLE FOR LOST REVENUES OR INDIRECT, SPECIAL, INCIDENTAL, CONSEQUENTIAL, EXEMPLARY, OR PUNITIVE DAMAGES, EVEN IF THE MANUFACTURER KNEW OR SHOULD HAVE KNOWN THAT SUCH DAMAGES WERE POSSIBLE AND EVEN IF DIRECT DAMAGES DO NOT SATISFY A REMEDY.

For technical support please contact support@pulsar-vision.com.

Answers to frequently asked questions about the devices can also be found in the [FAQ](#) section.

