

3X20 B Manual

[Specifications](#)

[Package contents](#)

[Monocular installation](#)

[Description](#)

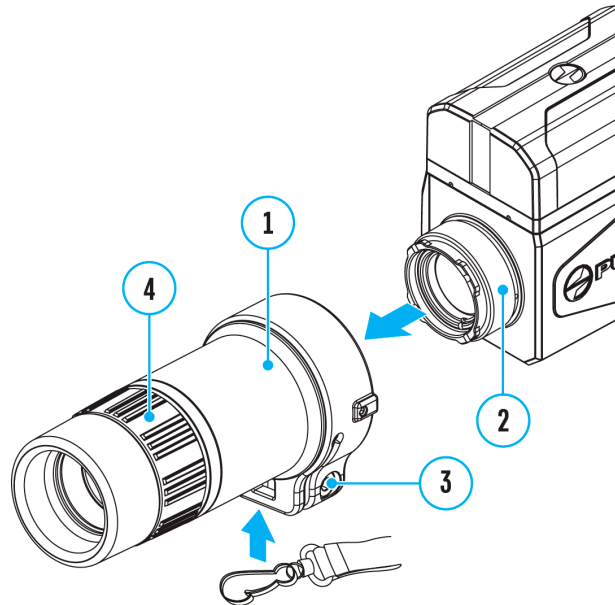
Specifications

Model	3x20 B
SKU	71014
Magnification, x	3
Lens diameter, mm/inch	20/0.79
Field-of-view, deg	15
Eye Relief, mm/inch	20/0.79
Eyepiece Focusing Range, Diopter	±5
Dimensions, mm/inch	95×45×51 / 3.74×1.77×2
Weight, kg/oz	0.1 / 3.53

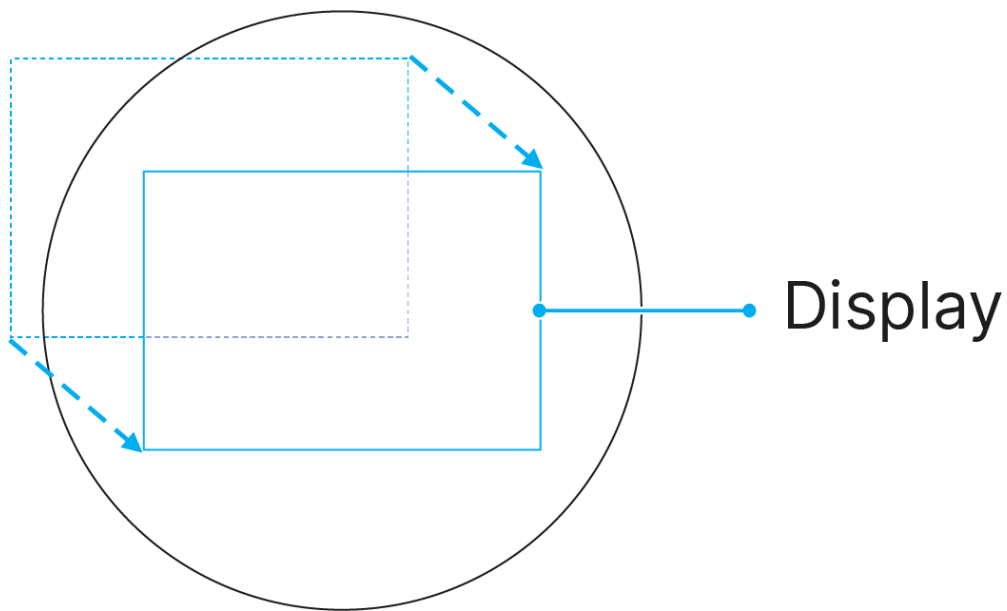
Package contents

- Monocular Pulsar 3×20 B
- Carrying Case
- Neck Strap
- Quick Start Guide
- Warranty Card
- Lens-Cleaning Cloth
- Allen Key

Monocular installation



1. Align the protrusions on the monocular **(1)** on the side of its lens with the grooves of the mount **(2)** of the thermal imaging module.
2. Turn the monocular clockwise to secure it on the thermal imaging module. The recommended position of the clamping screw **(3)** is at the bottom (see Figure).
3. Turn on the thermal imaging module.
4. Adjust the eyepiece diopter ring **(4)** until the symbols in the display are sharp.
5. Loosen the screw **(3)** with an Allen key S3.
6. Align the display to the centre of the image in the monocular by tilting the thermal imaging module in the required directions.



7. Lock the monocular in the chosen position by tightening the screw **(3)** until it stops (clamping force – 2.5 Nm/ 22.13 in-lbs).

8. To remove the monocular, turn it counterclockwise and disconnect from the thermal imaging module.

Description

The **monocular Pulsar 3×20 B** converts Krypton and Proton devices into handheld thermal imaging monoculars with 3x magnification.

The monocular is installed on the thermal imaging module without the use of an additional adapter.