

PULSAR THERMION Manual

Specifications

About The Device

- Button operation
- Description
- Package contents
- Components and controls
- Features

Power supply

- Precautions
- Recomendations for battery use
- Battery charging
- Battery installation
- Switching and changing the batteries
- External power supply

Getting started

- Delete distance
- Change primary distance
- Name distance
- Freeze
- Magnification (when zeroing)
- Windage/Elevation
- Zeroing parameters settings
- Add new distance
- Microbolometer calibrations
- Status bar
- How to zero
- Mounting on the rifle
- Powering on and image settings

Interface

- Main menu
 - Device information
 - Accelerometer
 - Side incline
 - Defective Pixel Repair
 - Restore default pixel map
 - Auto Shutdown
- Wi-fi settings
- General settings
- Color modes

- Microphone
- Calibration mode
- Wi-fi activation
- Icon brightness
- Reticle setup
- Image detail boost
- Mode
- Enter the main menu
- Zeroing profile

Functions

- Scalable reticles
- PIP function
- Display-off function
- Wi-fi function
- Stadiametric rangefinder
- Video recording and photography
- Quick menu functions
- Discrete digital zoom
- Smart reticle function

Software

- Stream vision 2
- USB connection
- Firmware update

Maintenance

- Technical maintenance
- Technical inspection

Troubleshooting

Legal compliances and disclaimers

Specifications

Model	XM38
SKU	76525
Microbolometer	
Type	Uncooled
Resolution, pixels	320×240
Pixel size, microns	12
Frame refresh rate, Hz	50
Optical Specifications	
Lens, mm	F38 F/1.2
Magnification ratio, x	4-16
Eye relief, mm	50
Field of view angle (horizontal), °/m @100 m	5.8/10.1
Eyepiece focusing range, dioptres	-3/+5
Detection distance (object of deer type), m (y)	1700 (1860)
Aiming Reticle	
	10 mm – 4x
Click value (H/V), mm@100 m – when magnifying, x	5 mm – 8x
	2.5 mm – 16x
Click range (H/V), mm@100 m	2000/2000
Display	

Model	XM38
Type	AMOLED HD
Resolution, pixels	1024x768
Operating Features	
Diameter of the riflescope body to assemble the mounting rings, mm	30
Operating voltage, V	3–4.2
Battery type / Capacity / Rated Output Voltage	Li-Ion Battery Pack APS2 / 2000 mAh / DC 3.7 V (removable)* Li-Ion Battery Pack APS3 / 3200 mAh / DC 3.7 V (built-in)
External power supply	Micro USB type B (5 V)
Battery Packs (built-in APS3 and removable APS2) operating time at temp. = 22 °C (Wi-Fi off), hrs**	7
Maximum recoil power on a rifled weapon, Joules	6000
Maximum recoil power on a smooth-bore weapon, caliber	12
Degree of protection IP code (IEC60529)	IPX7
Operating temperature, °C (°F)	-25 – +50 (-13 – +122)
Dimensions with an eyecup (LxWxH), mm (inch)	395x78x72 (15.55x3.07x2.83)
Weight (without removable battery), kg (oz)	0.75 (26.45)
Video Recorder	
Photo/video resolution, pixels	1024x768
Video / photo format	.mp4 / .jpg
Built-in memory	16 GB
Wi-Fi Channel***	
Frequency	2.4 GHz
Standard	802.11 b/g








*APS3 Battery Pack can be used (sold separately)

** Actual operating time will depend to what extent the Wi-Fi and built-in video recorder is used.

*** The reception range may vary depending on various factors: obstacles, other Wi-Fi networks.

About The Device

Button operation

Operation	Button
Power riflescope on	 short press
Power riflescope off	 long press for 3 secs
Turn display off	 long press for less than 3 secs
Turn display on	 short press
Calibrate the microbolometer	 short press
Control discrete digital zoom	 short press
Smooth Zooming	 rotation

PIP on/off



long press

Video Recorder

Button

Start/pause/resume video recording

REC

short press

Stop video recording

REC

long press

Switch to video / photo mode

REC

long press

Capture Photo

REC

short press

Main Menu

Button

Enter main menu



long press

Navigation through menu



rotation

Enter menu items



short press

Confirm value



short press

Exit menu items



long press

Exit main menu



long press

Quick Menu

Button

Enter quick menu



short press

Switch between quick menu options



short press

Parameter change



rotation



Description

Thermion thermal imaging riflescopes are designed for use both at night-time and during the day and provide exceptional image quality even in adverse weather conditions (fog, smog, rain) and beyond obstacles like branches, tall grass, dense foliage, etc. known to hinder target detection.

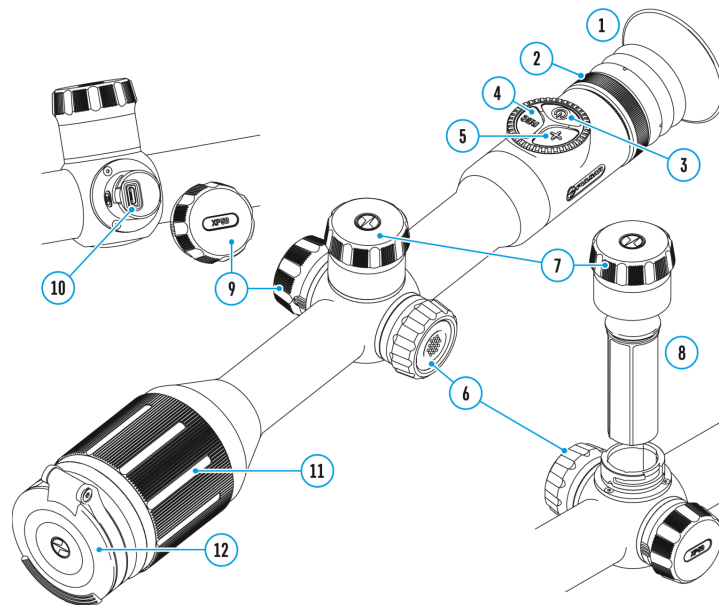
Unlike riflescopes based on electrical-to-optical converters, thermal imaging riflescopes do not require an external light source and are resistant to high levels of illumination.

Thermion thermal riflescopes perfectly suited for night hunting, observation, trail orientation, identifying hazards, rescue operations, etc.

Package contents

- Thermion thermal rifle scope
- APS2 Battery Pack
- APS battery charger
- Battery cover
- Power adapter
- USB cable
- Carrying case
- Lens cloth
- Quick-start guide
- Warranty card

Components and controls



1. Eyecup
2. Eyepiece diopter adjusting ring
3. ON/OFF button
4. REC button
5. ZOOM button
6. Controller
7. Battery compartment cover
8. Battery Pack APS2
9. Micro USB cover
10. Micro USB port
11. Lens focus ring
12. Lens cover

Features

- Stadiametric rangefinder (estimate distance to object)
- Built-in 3-axis accelerometer gyroscope (slope angle indication)
- 4 observation modes: Forest, Rocks, Identification and User
- 3 calibration modes: manual, semi-automatic and automatic
- Smooth Digital Zoom
- Multiple reticle options
- Scalable reticles (proportional to Zoom)
- 5 zeroing profiles (10 distances per profile)
- One-shot "Freeze-Zeroing" function
- Precise "Zoom zeroing" (reducing the MOA per click when zooming in)
- 8-color display palette
- Pixel repair function
- "Display-Off" function
- Image Boost technology
- Integrated Wi-Fi for remote control and personal device connectivity
- Durable aluminum-alloy housing
- IPX7 waterproof construction
- Recoil rated to .375H&H, 9.3×64 and 12-gauge

Video Recording

- Built-in photo and video recorder with audio
- 16 GB internal memory
- iOS and Android compatible
- Storing photos and videos in Cloud when using the Stream Vision 2 App

Battery Pack

- Built-in 3200 mAh Battery Pack APS3
- Quick-change rechargeable Li-Ion APS2/APS3 battery packs
- Internal and external battery charging via micro-USB port
- Charge external batteries via included dual-port battery charger

Power supply

Precautions

- Only use the charger supplied with the Battery Pack. The use of any other charger may irreparably damage the Battery Pack or the charger and may cause fire.
- Do not charge the Battery Pack immediately after bringing it from a cold environment to a warm one. Wait for 30-40 minutes for the Battery Pack to get warm.
- It is not recommended to charge the batteries with a charger connected to the USB port of a computer or laptop. It can damage the computer.
- Do not leave the Battery Pack unattended while charging.
- Never use a modified or damaged charger.
- Do not leave the Battery Pack with a charger connected to the power adapter after charging is complete.
- Do not expose the Battery Pack to high temperatures or an open flame.
- Do not submerge the Battery Pack in water.
- Do not connect an external device with a current consumption that exceeds permitted levels.
- Do not dismantle or deform the Battery Pack.
- Do not drop or hit the Battery Pack.
- Keep the Battery Pack out of the reach of children.

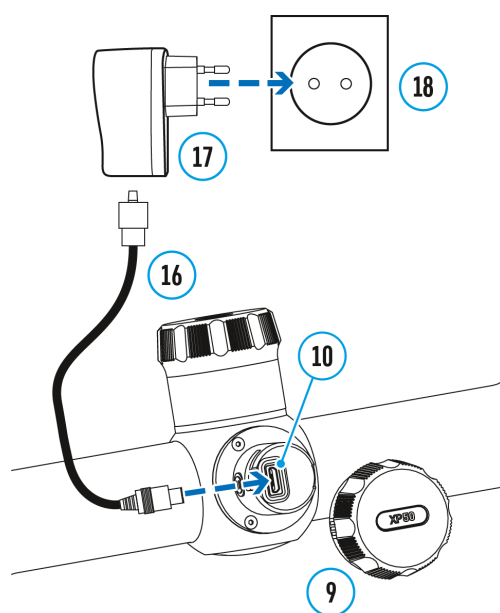
Recommendations for battery use

- During long-term storage, the Battery Pack should be partially charged – the charge level should be between 50% and 80%.
- Charge the Battery Pack at a temperature from 0° C to +45° C (32° F to +113° F), otherwise the battery life will decrease significantly.
- When using the Battery Pack at sub-zero (sub 32° F) temperatures the battery capacity decreases. This is normal and is not a defect.
- Do not use the Battery Pack at temperatures above those shown in the table – this may decrease battery life.

- The Battery Pack is short circuit protected; however, any situation that may cause short-circuiting should be avoided.

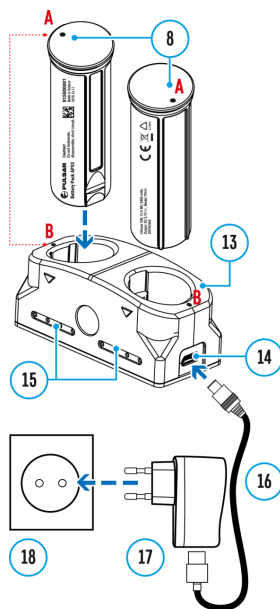
Battery charging

Thermion thermal imaging riflescopes come with a built-in rechargeable lithium-ion Battery Pack APS3 and a removable rechargeable lithium-ion APS2 Battery Pack. The batteries should be charged before first use.



1. Open the micro USB cover **(9)** by turning it counterclockwise.
2. Connect the micro USB plug of the USB cable **(16)** to the micro USB port **(10)** in the body of the rifle scope.
3. Connect the second micro USB plug of the USB cable **(16)** to the micro USB port on the power adapter **(17)**.
4. Plug the device into a 100–240 V socket **(18)**.

Attention! When charging batteries via the microUSB connector **(10)** in the body casing of the rifle scope, the built-in Battery Pack is the first to be charged. Once it is fully charged, the removable Battery Pack begins charging. When the device is in use, power consumption occurs in reverse order.



The rechargeable lithium-ion APS2 Battery Pack can be recharged using the APS charger*.

1. Insert the APS2** Battery Pack **(8)** along the rail into the APS charger slot as far as it will go. The APS charger is supplied with your device.
2. Point **A** on the battery and point **B** on the charger should match.
3. Two batteries can be charged at the same time: the second slot is designed for it.
4. Connect the micro USB plug of the USB cable **(16)** to the micro USB port on the power adapter **(17)**.
5. Connect the second plug of the micro USB cable to the APS battery charger port **(14)**.
6. Plug the device into a 100–240 V socket **(18)**.

The LED indicator (15) will display battery charge status:

**LED
Indicator*****

Battery Charge Status

●	Battery level is from 0% to 10%. Charger is not connected to a power supply.
★	Battery level is from 0% to 10%. Charger is connected to a power supply.
● ● ● ●	Defective battery. Do not use the battery!
●	Battery level is from 10% to 20%.
● ●	Battery level is from 20% to 60%.
● ● ●	Battery level is from 60% to 95%.
● ● ● ●	Battery completely charged. Charging will automatically stop. The battery can be

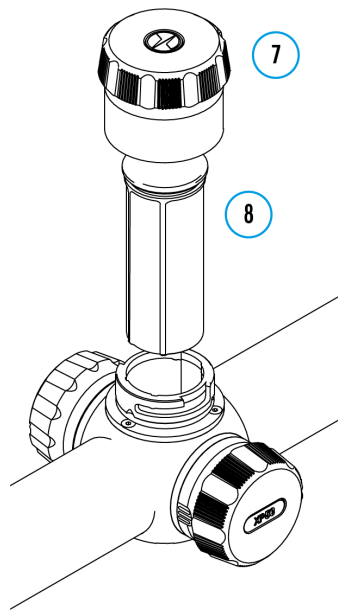
disconnected from the charger.

* Included in the delivery package.

** APS3 Battery Pack is available (sold separately).

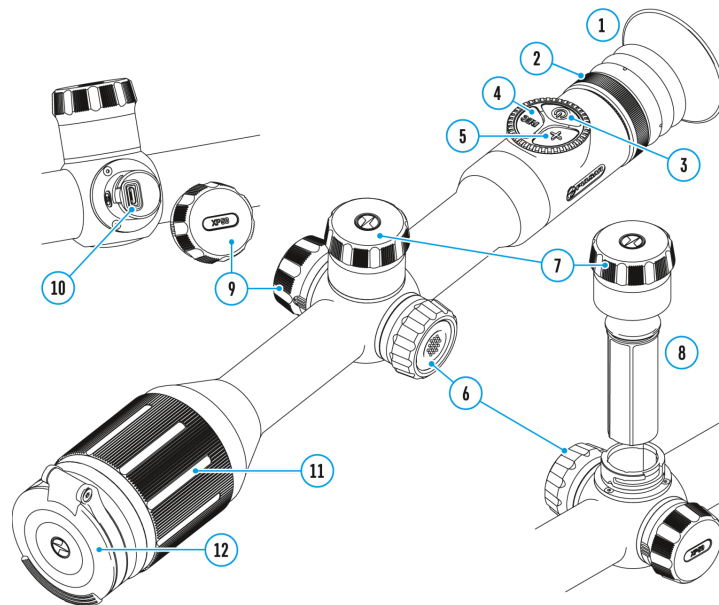
*** LED indicator displays the current battery charge status for 30 seconds when the APS charger is not plugged in. When the power is being supplied, the indicator is constantly displaying the current battery charge status, the LEDs are additionally flickering to display the battery charging process.

Battery installation



1. Turn the battery cover **(7)** counterclockwise and remove it.
2. Install the battery **(8)** into the battery compartment along the special guides in the device body designed for it.
3. When properly installed, the battery is fixed in the battery compartment of the device.
4. Close the battery cover **(7)** by turning it clockwise.

Switching and changing the batteries



Thermion devices are powered by 2 batteries: built-in Battery Pack APS3 and removable Battery Pack APS3/APS2.

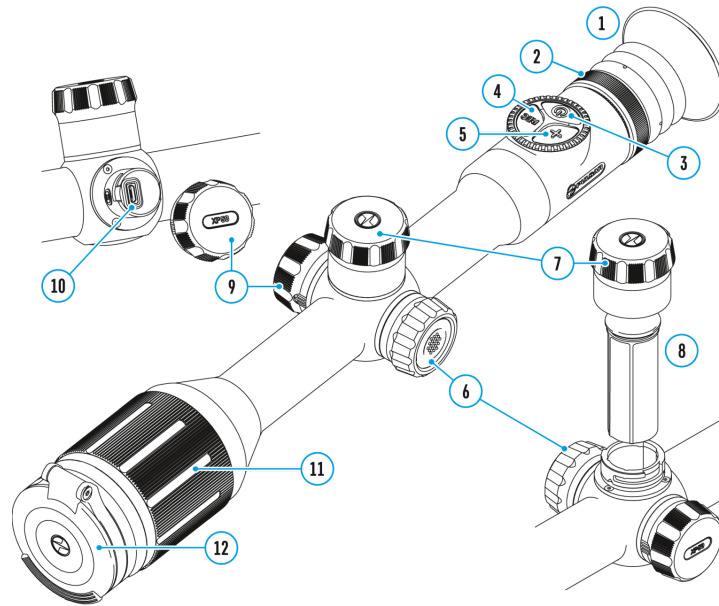


1. If there are two batteries in the device, two battery icons are displayed in the status bar (1 – built-in battery, 2 – removable battery). The battery from which the device is powered is displayed in blue, inactive – in gray.
2. If there is no removable battery in the device, only one blue icon of the internal battery is displayed in the status bar.
3. When both batteries are fully charged, the device is powered by the removable battery. If there is low removable battery level, the device will switch to the built-in battery.
4. When charging the batteries using the micro USB port **(10)**, the built-in battery is charged first. When the built-in battery charge level reaches 100%, the device switches to charging the removable battery. The battery level is displayed in percentage above the icons in the status bar.
5. It is possible to replace removable battery with device turned on when it is powered by built-in battery (the device will continue to work properly).

Attention! When removing the removable battery from the device, if the device is powered by it, the device will reboot and switch to operation from the built-in battery.

When installing a removable battery with a sufficient charge level, the device will automatically switch to it.

External power supply



External power can be supplied from an external source, such as a Power Bank (5 V).

1. Connect the external power supply to the micro USB port **(10)** of the riflescope.
2. The riflescope switches to external power source, while built-in Battery Pack APS3 and removable Battery Pack APS2 (or APS3*) will gradually recharge.
3. A rechargeable battery icon



indicating a percentage of the battery life will appear in the status bar.

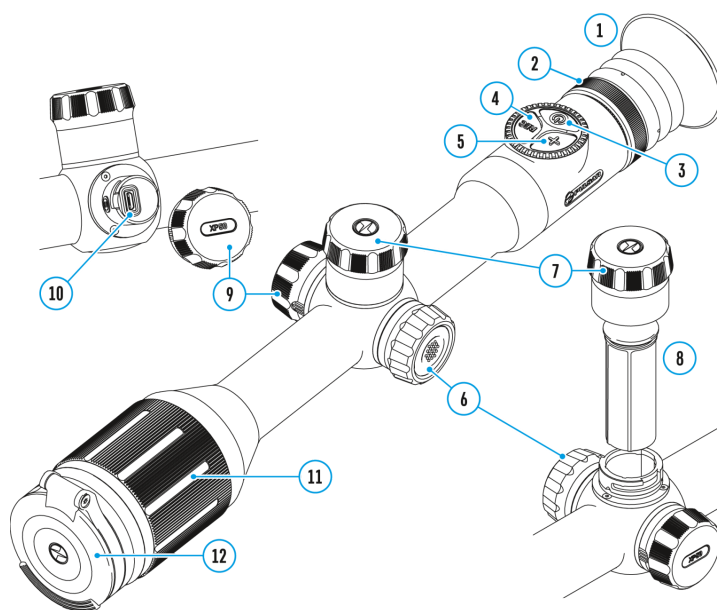
4. When you turn off external power source, the riflescope switches over to the removable battery without turning off. When there is no removable battery or low power level the device switches to the built-in battery.

Warning! Charging APS3 / APS3 batteries at air temperatures below 0° C (32° F) may reduce battery life. When using external power, connect the Power Bank to the device after it has been turned on and working for several minutes.

*Optional.

Getting started

Delete distance



1. Press and hold the controller button **(6)** to enter the main menu.
2. Rotate the controller ring **(6)** to select the **Zeroing**



menu item and enter by briefly pressing the controller button **(6)** – the zeroed distances are displayed.

3. Select the distance you wish to delete and enter the submenu for operating the distances with a brief press of the controller button **(6)**.
4. Select **Delete Distance**

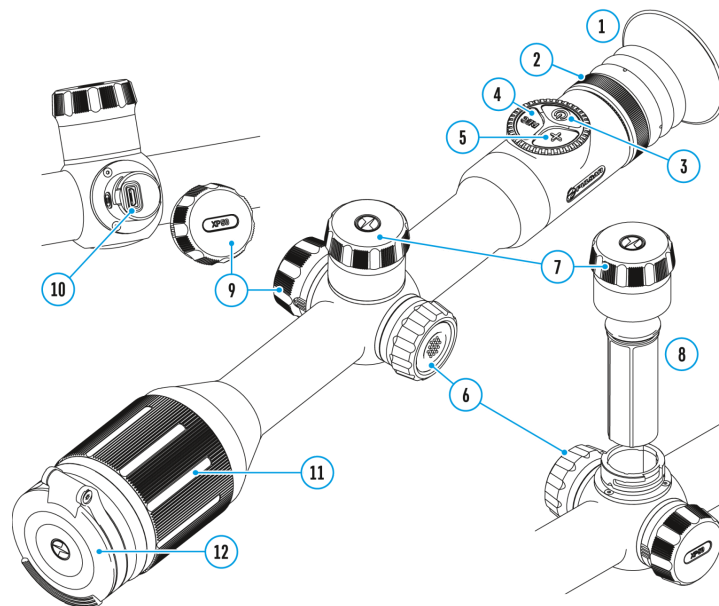


item.

5. Press the controller button **(6)** briefly.
6. Select "Yes" in the appeared dialog box to delete a distance. "No" – to cancel deletion.
7. Press the controller button **(6)** briefly to confirm your selection.

Attention! If the primary distance is deleted, the first distance on the list automatically becomes the new primary distance.

Change primary distance



1. Press and hold the controller button **(6)** to enter the main menu.
2. Rotate the controller ring **(6)** to select the **Zeroing**



menu item and enter by briefly pressing the controller button **(6)** – the zeroed distances are displayed.

3. Select a non-primary distance and enter the submenu for operating the distance with a brief press of the controller button **(6)**.
4. Select **Change Primary Distance**

▷0◀

item.

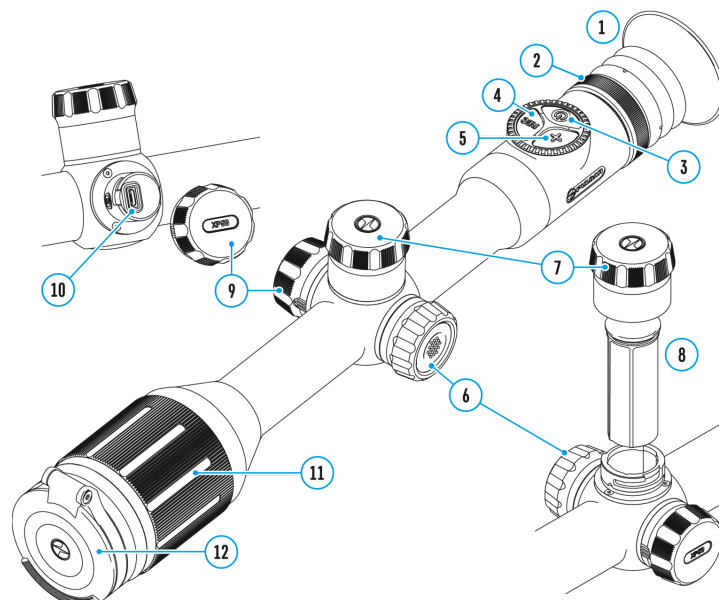
5. Press the controller button **(6)** briefly.
6. Icon

▷0◀

next to the selected distance confirms the change of primary distance.

The differences of other distances from the new primary distance are recalculated as per clicks.

Name distance



1. In the **Zeroing Parameters Settings**



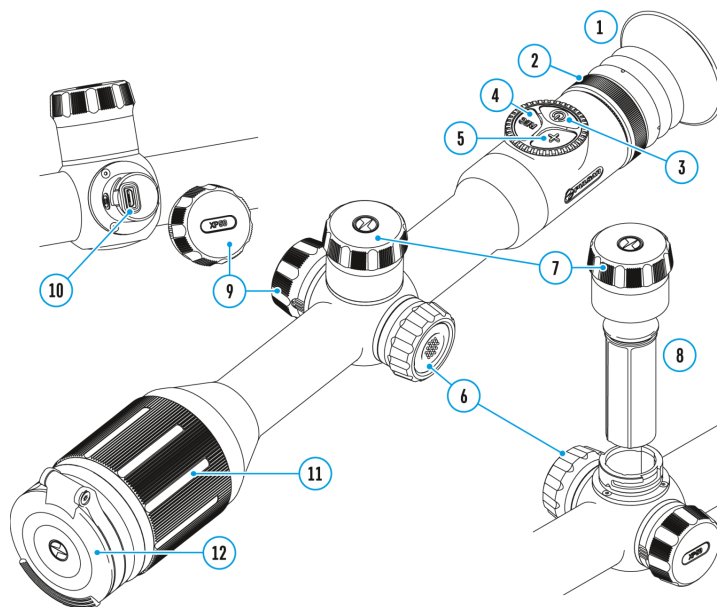
menu, rotate the controller ring **(6)** to select the **Name Distance**



submenu item and enter it by briefly pressing the controller button **(6)**.

2. Rotate the controller ring **(6)** to select a value for each digit. Press the controller button **(6)** briefly to switch between digits.
3. Press and hold the controller button **(6)** to confirm the selection.

Freeze



The "Freeze" function allows the user to freely move or manipulate the rifle without losing reticle placement on the point of aim during adjustments.

1. In the **Zeroing Parameters Settings**



menu, rotate the controller ring **(6)** to move the cursor to the **Freeze**



function.

2. Align the reticle with the point of aiming and press the controller **(6)** or **ON/OFF (3)** button. A screenshot will be taken, an icon



will appear.

3. Go to the additional **Windage/Elevation**



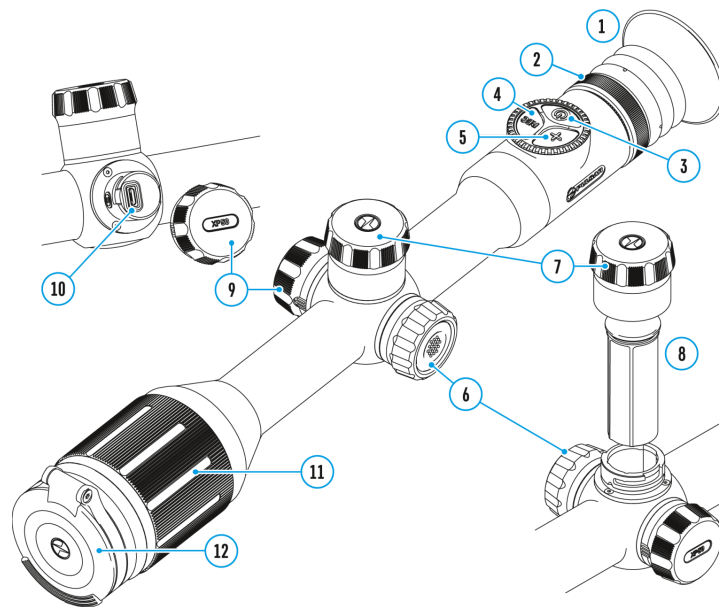
submenu and adjust the position of the reticle (see the **Zeroing** section).

4. Select the **Freeze**



submenu item again and briefly press the controller **(6)** or **ON/OFF (3)** button – the image will “unfreeze”.

Magnification (when zeroing)



Magnification allows you to magnify via the device's digital zoom when zeroing, which reduces the MOA-per-click values of adjustments and improves zeroing accuracy.

1. In the **Zeroing Parameters Settings**



menu, rotate the controller ring **(6)** to select the **Magnification**



submenu item and enter by briefly pressing the controller button **(6)**.

2. Rotate the controller ring **(6)** to select a digital magnification value of the riflescope (e.g., x4).
3. Press the controller button **(6)** briefly to confirm your selection.

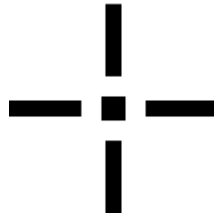
The minute of angle click when using the Magnification function is indicated in the Table of **Technical Specifications**.

Windage/Elevation

The **Windage/Elevation**



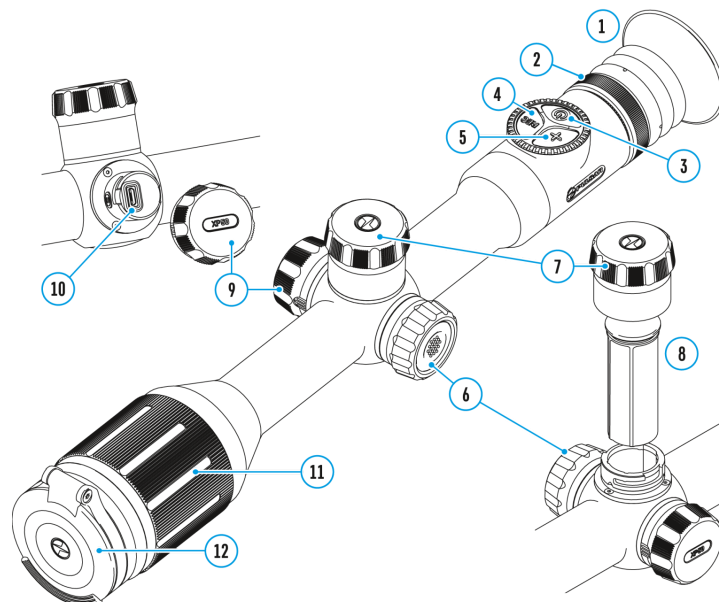
additional menu item in the **Zeroing Parameters Settings**



menu allows you to adjust the reticle position. For a detailed description of the reticle adjusting, refer to the **Zeroing** section.

Zeroing parameters settings

m



1. Press and hold the controller button **(6)** to enter the main menu.
2. Rotate the controller ring **(6)** to select the **Zeroing**



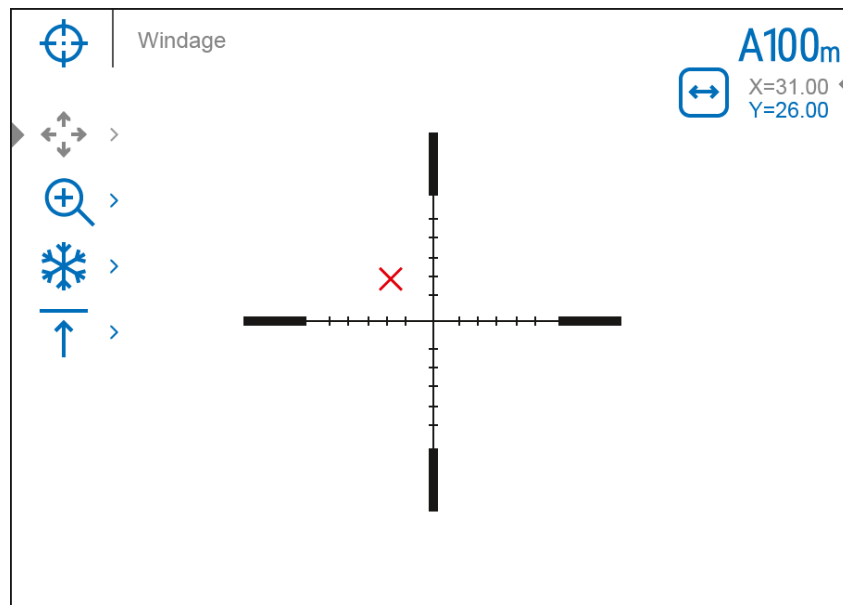
menu item and enter by briefly pressing the controller button **(6)** – the zeroed distances are displayed.

3. The values (e.g., +7.0) shown on the right of the distance values, stand for the number of clicks along the Y axis, at which the reticle position at other distances differs from the reticle position in the primary distance.
4. To zero at any distance again, rotate the controller ring **(6)** to select the required distance and briefly press the controller button **(6)**.
5. Rotate the controller ring **(6)** to select the **Zeroing Parameters Settings**

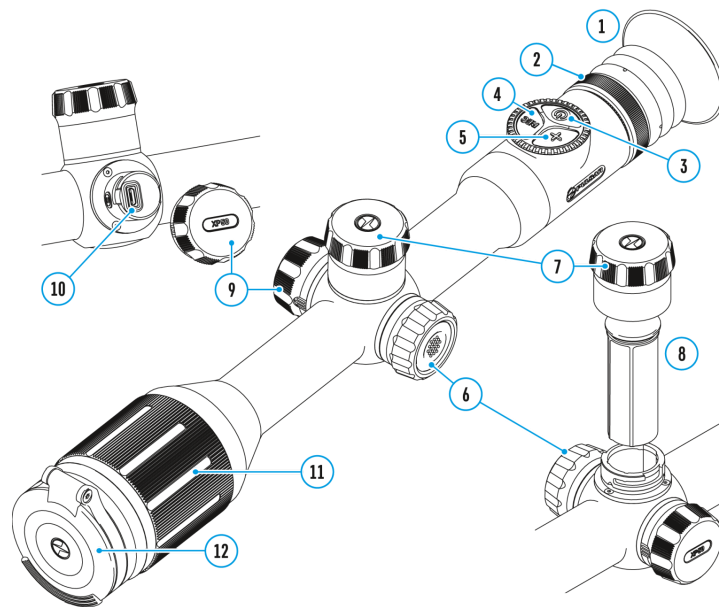


and enter by briefly pressing the controller button **(6)**.

6. **Zeroing** screen, which allows the change of zeroing coordinates, will appear.



Add new distance



To zero your riflescope, you need to set a zeroing distance first in the range of 1 to 910 m (955 yards).

1. Press and hold the controller button **(6)** to enter the main menu.
2. Rotate the controller ring **(6)** to select a menu item



and enter by briefly pressing the controller button.

3. Press the controller button **(6)** briefly to enter the **Add New Distance**



submenu.

4. Rotate the controller ring to select a value for each digit. Press the controller button **(6)** briefly to switch between digits



5. Having set the desired distance, press and hold the controller button **(6)** to save it.

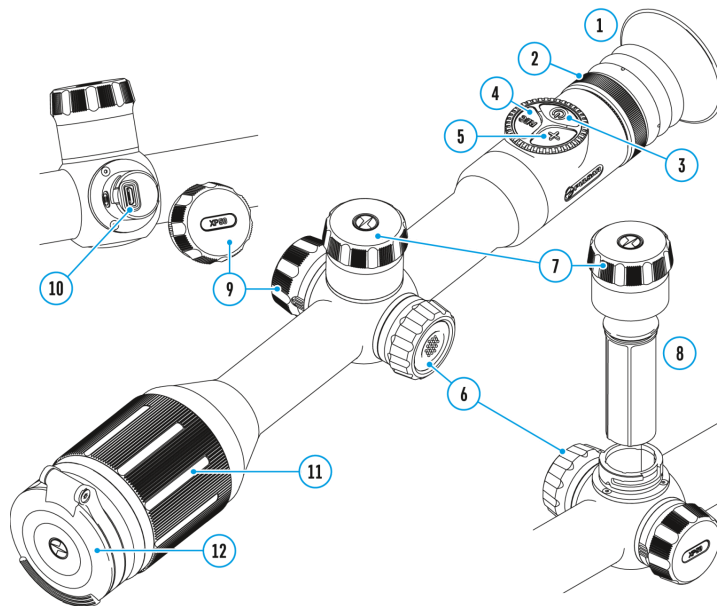
The distance you set first becomes a **primary distance** – shown with icon



on the right to the distance value.

Note: Maximum number of zeroing distances is ten for each profile.

Microbolometer calibrations



Calibration enables to equalize the microbolometer temperature and eliminate the image defects (such as vertical bars, phantom images etc.).

There are three calibration modes: **manual (M)**, **semi-automatic (SA)** and **automatic (A)**. Select the required mode in the **Calibration Mode**



item.

M mode (manual)

- Close the lens cover **(12)** and press the **ON//OFF (3)** button briefly.
- Open the cover after the calibration is completed.

SA mode (semi-automatic)

- Press the **ON//OFF (3)** button briefly to activate calibration.
- There is no need to close the lens cover (internal shutter covers the microbolometer).

A Mode (automatic)

- The riflescope is calibrated autonomously according to the software algorithm.
- There is no need to close the lens cover (internal shutter covers the microbolometer).
- In this mode, the riflescope may be calibrated by the user with the **ON//OFF (3)** button.

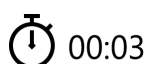
Note: a display image freezes until the calibration is in progress

Status bar



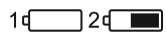
The status bar at the bottom of the display shows current operating statuses via icons, including:

1. Color Mode (shown only when the Black Hot color mode is selected)
2. Actual zeroing profile (e.g., A).
3. Zeroing distance (e.g., 100 m)
4. Observation mode (e.g., Identification)
5. Calibration mode (a countdown timer)



will appear instead of the calibration icon when in automatic calibration mode with 3 seconds remaining until automatic calibration).

6. Current compound magnification
7. Microphone
8. Wi-Fi connection
9. Auto Shutdown function (e.g., 5 min.)
10. Clock
11. Power supply:
 - Battery discharge level



(when riflescope is powered by a built-in or removable battery).

- External battery power indicator



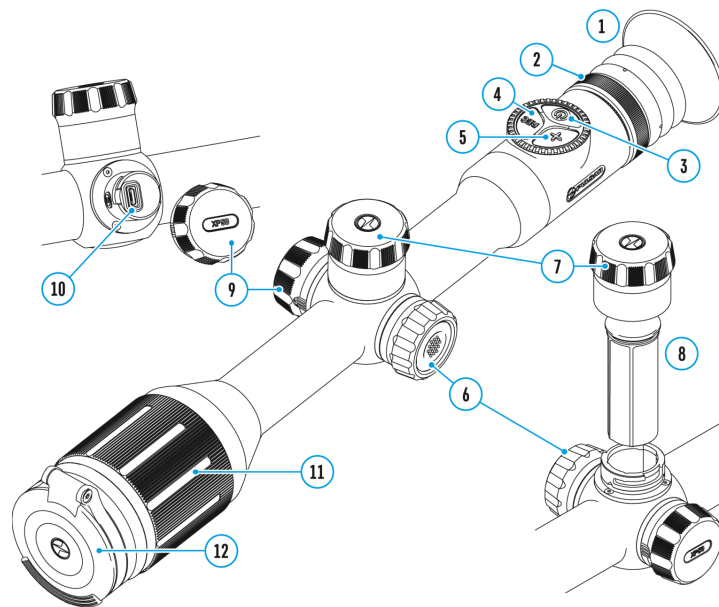
(if the riflescope is powered by an external power supply).

- Battery indicator

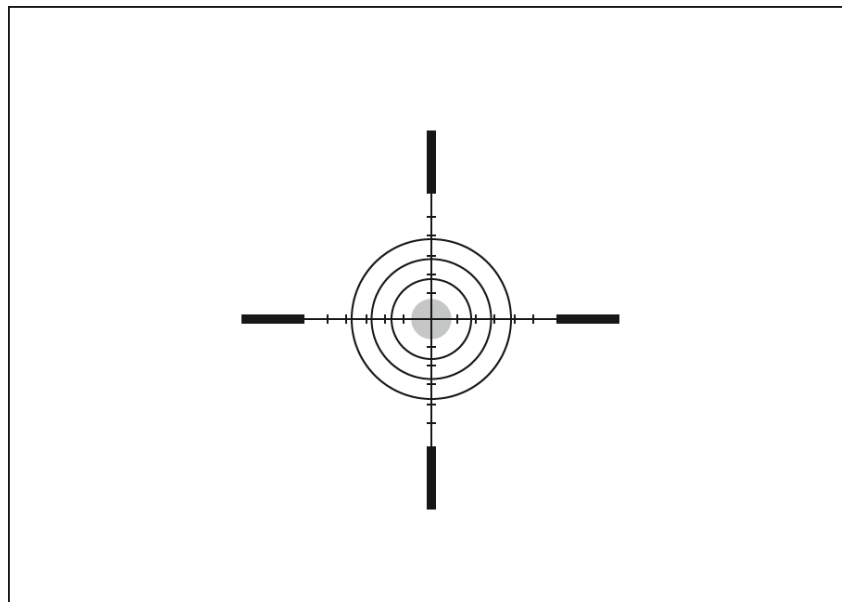


with current percentage of charge (when charging from an external power source).

How to zero



Zeroing at a temperature close to the riflescope's operating temperature is recommended.



Step 1. Take a shot

1. Shooting from a benchrest is recommended.
2. Set a target at a known distance.
3. Adjust the riflescope according to the **Powering on and Image Setting** section.
4. Select the zeroing profile (see **Zeroing Profile**



main menu item)

5. Aim at the center of your target and shoot.

Step 2. Align the reticle with the point of impact

1. If the point of impact does not match the aiming point, press and hold down the controller button **(6)** to enter the main menu.
2. Rotate the controller ring **(6)** to select the **Zeroing**



submenu. To confirm the selection, briefly press the controller button **(6)**.

3. Set the zeroing distance value (see **Zeroing**



menu item ⇒ **Add New Distance**



submenu).

4. Confirm the selected zeroing distance value by long pressing the controller button **(6)**.
5. The **Zeroing Parameters Settings**



additional menu will appear on the screen.

6. Cross hairs appear in the center of the display



. X and Y coordinates of the cross hairs are in the upper right corner.

7. Rotate the controller ring **(6)** to select the icon



.

8. Press the controller button **(6)** briefly.
 9. Holding the reticle in the aiming point, move the cross hairs by rotating the controller ring **(6)** until the cross hairs match the point of impact. To switch the direction, briefly press the controller button **(6)**.
-

Zoom Zeroing function:

To improve the accuracy of zeroing, you can change the magnification in the menu



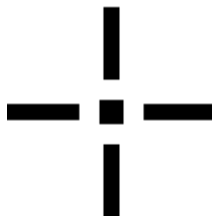
. The larger the magnification, the smaller the step of shifting the reticle on the display relative to the image from the sensor.

One-shot "Freeze Zeroing" function:

Using the **Freeze** function allows you to make adjustments without the need to hold the rifle precisely at your aiming point – freezing the zeroing screen (refer to **Zeroing**



menu item ⇒ **Distance** submenu ⇒ **Zeroing Parameters Settings**



submenu ⇒ **Freeze**



submenu or short pressing of the **ON/OFF (3)** button).

Step 3. Save the coordinates

1. To save the new reticle position, press and hold the controller button **(6)**. The reticle is aligned with the point of impact and the submenu



exits.

2. Press and hold the controller button **(6)** again to exit the zeroing settings menu – the message “Zeroing coordinates saved” appears, confirming the successful operation.
 3. Fire a second shot – now the point of impact and the aiming point must be matched.
-

Notes:

- After zeroing, the reticle may not be in the center of the display.
- The range of movement of the riflescope reticle allows you to successfully zero the riflescope, even on mounts that are far from ideal, minimizing the possible disadvantages of the mounts. The better the mount is installed, the less you have to move the reticle. We recommend mounting the riflescope as low as possible.

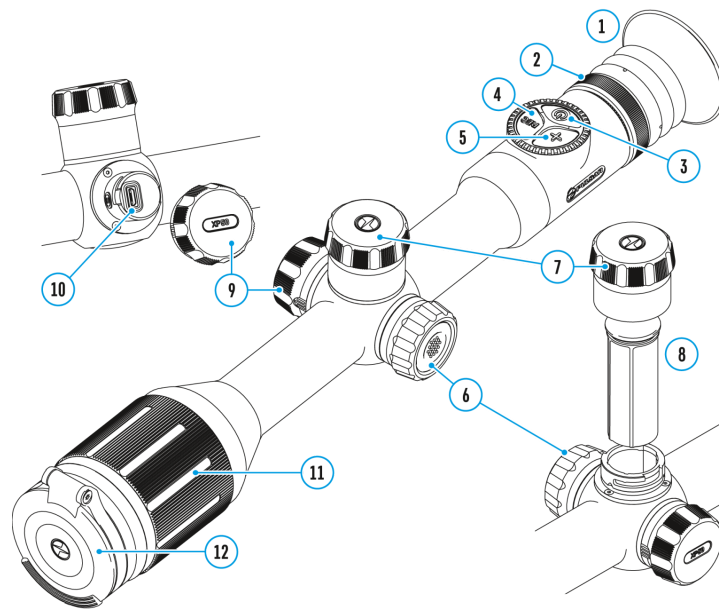
Mounting on the rifle

To ensure accurate shooting the **Thermion** riflescope should be properly mounted on the rifle.

- Mount the Thermion with 30mm scope rings or a single-piece scope mount, purchased separately. Use only high-quality mounts and rings compatible with your rifle. Follow the mount manufacturer’s installation instructions and use the proper tools.
- When mounting the riflescope, adjust the position of the scope on the rifle to achieve optimal, comfortable eye relief as specified by the **Technical Specifications**. Failure to comply with this recommendation may result in injury to the shooter.
- Install the riflescope as low as comfortably possible without contacting the barrel or receiver.
- In order to avoid pinching the riflescope body, tighten ring screws to a maximum of 22.1 in.-lbs. Using a torque wrench is recommended.
- Before using the riflescope (especially for hunting), follow instructions in the **Zeroing** section.

- Using the included eyecup is recommended to enhance your personal concealment. The eye cup is mounted on the Thermion 2's eyepiece via integral magnets.

Powering on and image settings



1. Remove the lens cover **(12)**.
2. Turn the unit on with a short press of the **ON/OFF (3)** button.
3. Adjust the resolution of the icons on the display by rotating the diopter adjustment ring on the eyepiece **(2)**.
4. Rotate the lens focus ring **(11)** to focus on the object being observed.*
5. Enter the main menu with a long press of the controller button **(6)** and select the desired calibration mode: **manual (M)**, **semi-automatic (SA)** or **automatic (A)** (for more details, see the **Microbolometer Calibration** section).
6. Calibrate the image with a short press of the **ON/OFF (3)** button (when calibration mode **SA** or **M** has been selected). Close the lens cap before manual calibration.
7. Select the required operating mode (**Forest, Rocks, Identification, User**) in the main menu. User mode allows you to configure and save custom brightness and contrast settings, as well as one of three modes as a base.
8. Activate the quick menu by briefly pressing the controller button **(6)** to adjust the brightness and contrast of the display (see the **Quick Menu Functions** section).
9. Press the **ZOOM (5)** button successively to change the magnification ratio of the riflescope. While the icon



is visible on the screen, rotate the controller ring (6) for smooth digital zooming from the current magnification.

10. Power the device off with a long press of the **ON/OFF (3)** button.

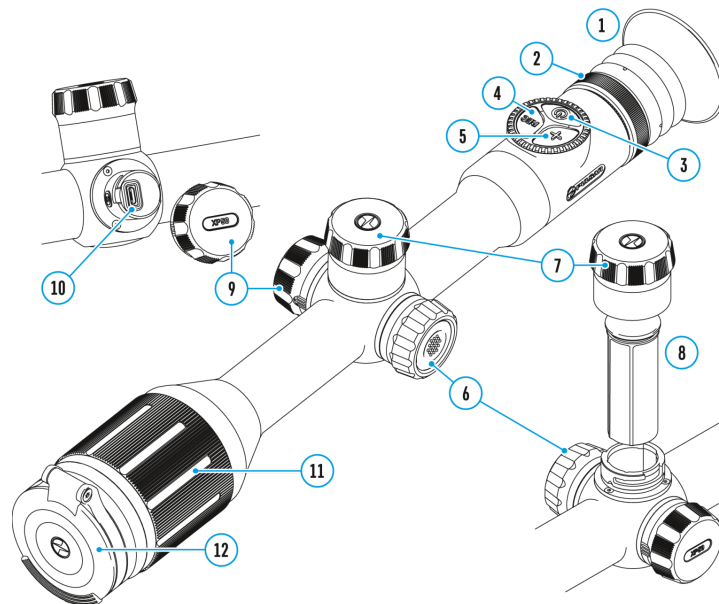
*except for Model XM30 (non-focusing lens)

Warning! Never point the lens at intensive energy sources such as laser radiation emitting devices or the sun. It can damage electronic components in the device. The warranty does not cover damage arising from failure to comply with operating instructions.

Interface

Main menu

Device information



1. Press and hold the controller button **(6)** to enter the main menu.
2. Rotate the controller ring **(6)** to select the **Device Information**



menu item.

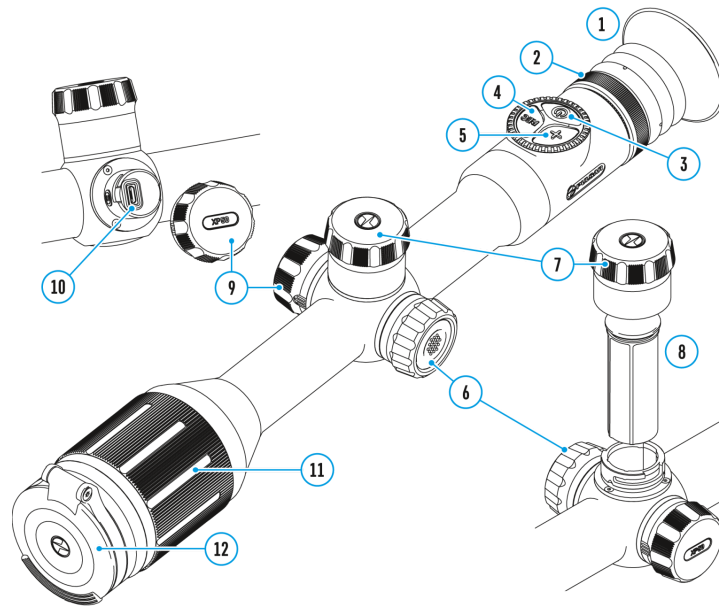
3. Press the controller button **(6)** briefly to enter the **Device Information** submenu.

This item allows the user to view the following information about the riflescope:

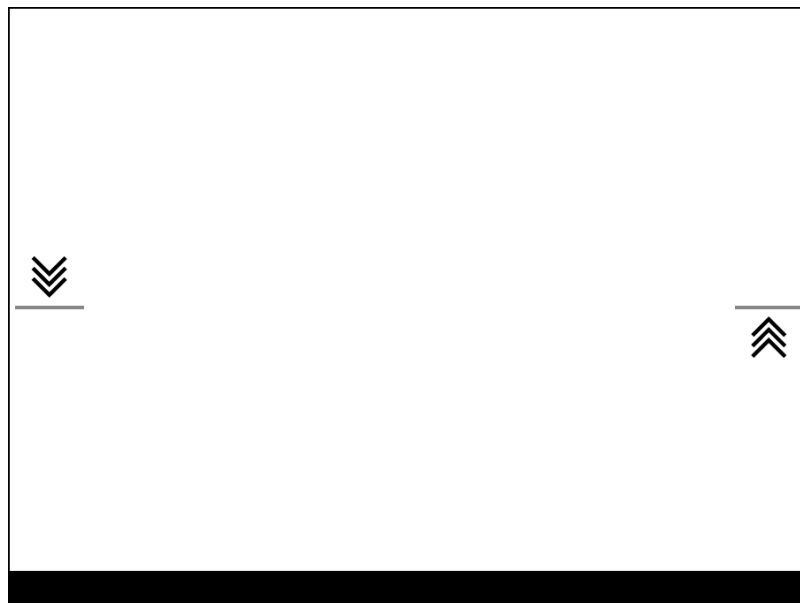
- Full name of the riflescope
- SKU number
- Serial number of the riflescope
- Riflescope firmware version
- Hardware version
- Service information
- Battery information

Accelerometer

Side incline



This item allows you to turn on/off the indication of horizontal (side) incline of the rifle. Side incline is indicated by "sector" arrows to the right and left of the reticle. Arrows indicate weapon tilt.



There are three modes of incline:

- 5°-10 ° – one sector arrow;
- 10°-20 ° – two sector arrow;
- > 20° – three sector arrow.

A side incline of less than 5° is not displayed.

1. Press and hold the controller button **(6)** to enter the main menu.
2. Rotate the controller ring to select the **Accelerometer**

((•))

menu item.

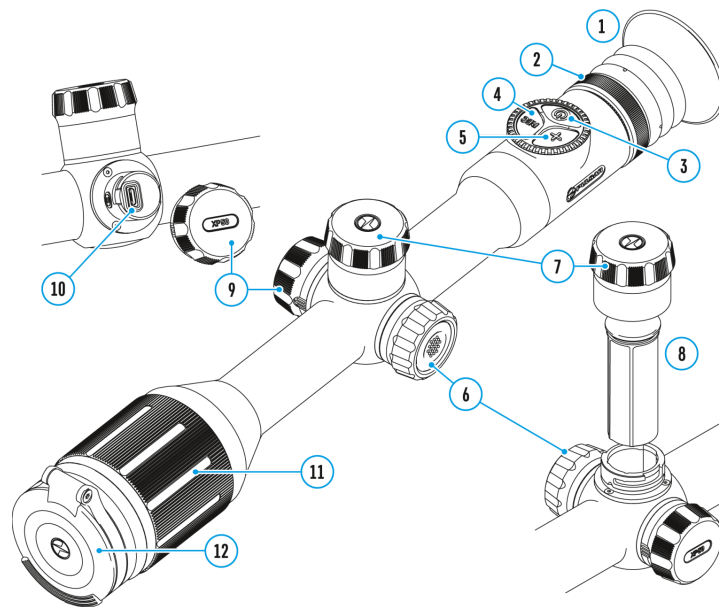
3. Press the controller button **(6)** briefly to enter the Accelerometer submenu.
4. Rotate the controller ring to select **Side Incline**

→←

.

5. Press the controller button **(6)** briefly to enter the Side Incline submenu.
6. Rotate controller ring to select On for turning on the incline indication or Off for turning it off.
7. Confirm your selection with a short press of the controller button **(6)**.

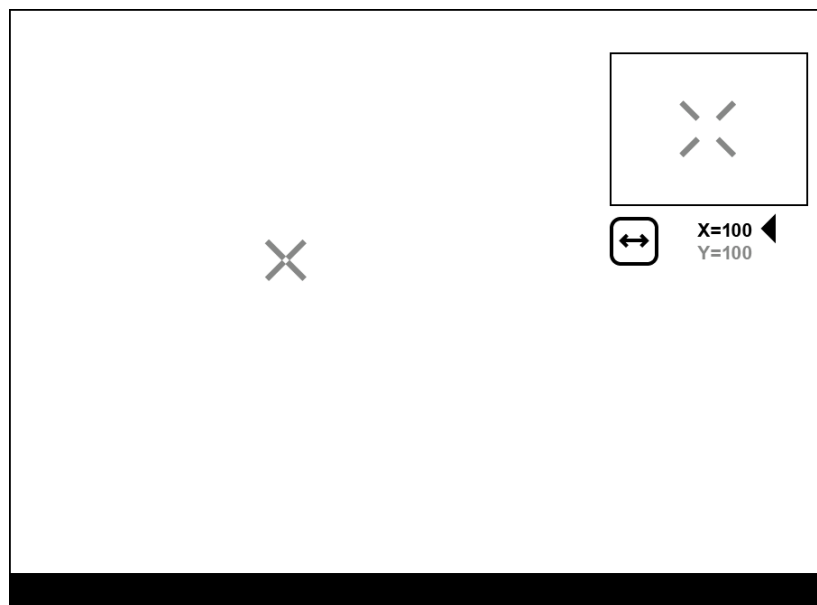
Defective Pixel Repair



When using the device, defective (dead) pixels may appear on the microbolometer. These are bright or dark points of a constant brightness that are visible on the image.

Defective pixels on the microbolometer can increase in size relative to the digital-zoom power.

The **Thermion** thermal riflescope allows the user to remove any defective pixels on the display, as well as cancel removal, via the device's firmware.



1. Press and hold the controller button **(6)** to enter the main menu.
2. Rotate the controller ring **(6)** to select the **Defective Pixel Repair**



menu item.

3. Press the controller button **(6)** to open the submenu.

4. Press the controller button **(6)** briefly to select the icon



.

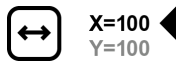
5. A marker



will appear on the left side of the display. A “magnifying glass” will appear on the right side of the display — a rectangle with an enlarged view of the marker



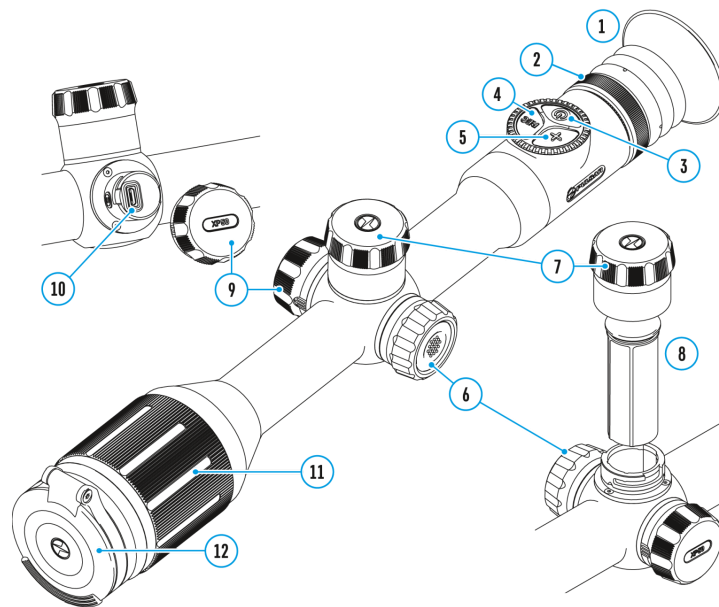
for precise pixel selection — and marker coordinates under the “magnifying glass”



.

6. Rotate the controller ring **(6)** to move the marker to align its center with the defective pixel.
7. Press the controller button **(6)** shortly to switch the marker direction from the horizontal to the vertical and vice versa.
8. Rotate the controller ring **(6)** to align the defective pixel with the fixed cross in the frame – the pixel should disappear.
9. Delete the defective pixel with a short press of the **ON/OFF (3)** button.
10. Where the pixel has been successfully deleted, the OK message will appear on the screen for a short time.
11. Then, by moving the marker across the display, you can delete the next defective pixel.
12. Press and hold the controller button **(6)** to exit the **Defective Pixel Repair** function.

Restore default pixel map



Return all defective pixels previously disabled by the user to their original state:

1. Press and hold the controller button **(6)** to enter the main menu.
2. Rotate the controller ring **(6)** to select the **Defective Pixel Repair**



menu item.

3. Press the controller button **(6)** to open the submenu.
4. Rotate the controller ring **(6)** to select the **Restore Default Pixel Map**



menu item

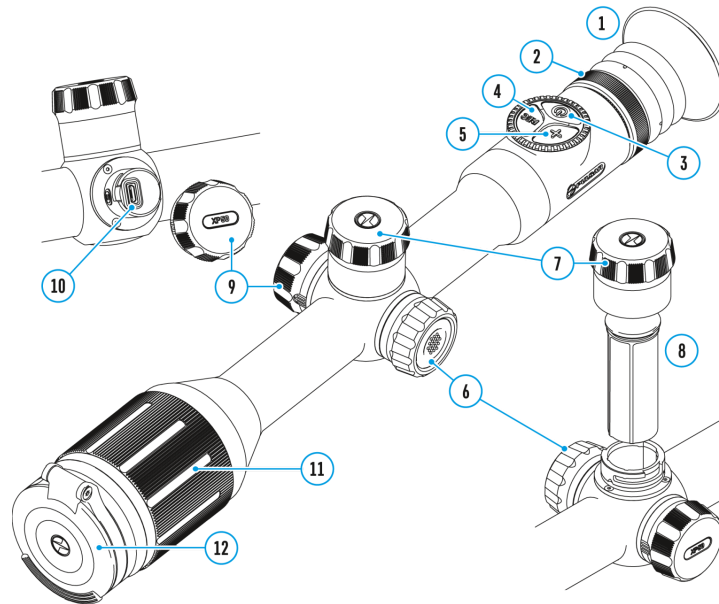
5. Press the controller button **(6)**

.

6. Select "Yes" if you want to return to the factory pixel map and "No" if you do not.
7. Press the controller button **(6)** briefly to confirm the selection.

Attention! One or two pixels on the display of the riflescope in the form of bright white, black or colored (blue, red or green) dots may appear. These points cannot be removed and not a defect.

Auto Shutdown



This item allows you to activate auto shutdown function for riflescope in a non-operating position (tilt up or down at an angle of more than 70°, right or left – at an angle of more than 30°).

1. Press and hold the controller button **(6)** to enter the main menu.
2. Rotate the controller ring **(6)** to select the **Accelerometer**

((•))

submenu.

3. Confirm the selection by briefly pressing the controller **(6)**.
4. Rotate the controller ring **(6)** to select **Auto Shutdown**

(⏻)

5. Press the controller button **(6)** briefly to enter the submenu.
6. Rotate the controller ring **(6)** to select the time period **(1 min, 3 min, 5 min)** upon expiry of which the riflescope will automatically shut down, or select **Switch off** if

you wish to deactivate Auto Shutdown.

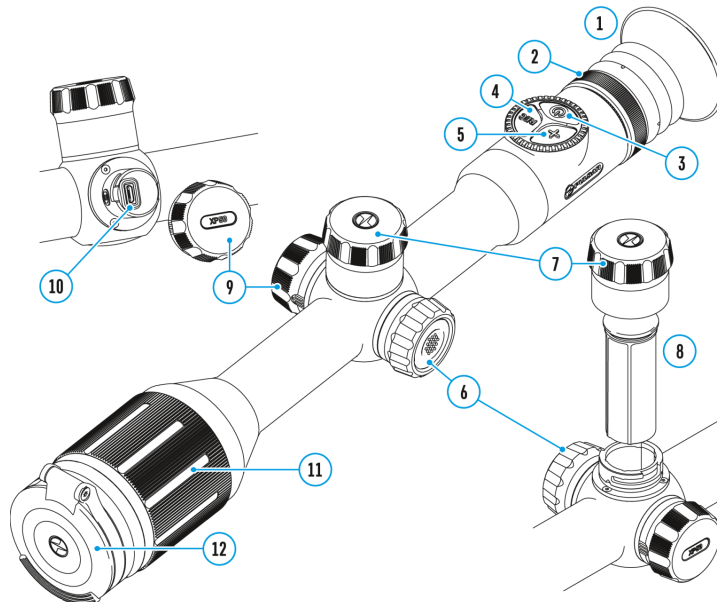
7. Confirm your selection with a short press of the controller button **(6)**.

Note: If the automatic shutdown function is activated, the status bar shows an icon and shutdown time period as



1/3/5 min.

Wi-fi settings



This item enables you to set up your riflescope for operation in a Wi-Fi network.

1. Press and hold the controller button **(6)** to enter the main menu.
2. Rotate the controller ring **(6)** to select the **Wi-Fi Settings**



submenu.

3. Press the controller button **(6)** briefly to enter the submenu
4. Rotate the controller ring **(6)** to select the desired menu item.

Password Setup

This item enables you to set a password to access the riflescope from an external device. The password is used to connect an external device (i.e. smartphone) to the riflescope.

1. Press the controller button **(6)** to enter the **Password Setup**



submenu.

2. The default password (12345678) will appear on the screen.
3. Rotate the controller ring **(6)** to set the desired password. Press the controller button **(6)** to toggle through the digits.
4. Press and hold the controller button **(6)** to save the password and exit from the submenu.

Access Level Setup

This sub-function enables you to configure the appropriate level of access to your device made available to the Stream Vision application.

Owner level. A Stream Vision user has full access to all the device's functions.

Guest level. A Stream Vision user can only view video footage from the device in real time.

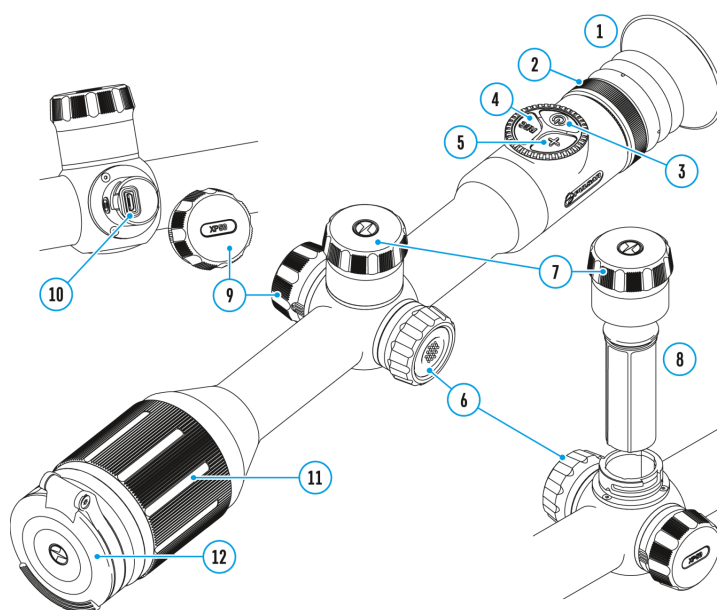
1. Press the controller button **(6)** to enter the **Access Level Setup**



submenu.

2. Rotate the controller ring **(6)** to select **Owner** or **Guest**.
3. Confirm your selection with a short press of the controller button **(6)**.

General settings



1. Press and hold the controller button **(6)** to enter the main menu.
2. Rotate the controller ring **(6)** to select the **General settings**



menu item.

3. Press the controller button **(6)** briefly to enter the General settings submenu.
4. Rotate the controller ring **(6)** to select the desired menu item.

This menu item allows you to configure the following settings:

Language

Language selection:

1. Press the controller button **(6)** briefly to enter the **Language**



submenu.

2. Rotate the controller ring **(6)** to select one of the available interface languages: English, German, Spanish, French, Russian, Italian, Portuguese, Dutch, Danish, Norwegian, Swedish, Polish, Czech, Hungarian.
3. Confirm your selection with a short press of the controller button **(6)**.
4. Press and hold the controller button **(6)** to save your selection and exit from the submenu.

Date

Date Setting:

1. Press the controller button **(6)** briefly to enter the **Date**



submenu. The date is displayed in dd/mm/yyyy format.

2. Rotate the controller ring **(6)** to select the desired year, month and date. Press the controller button **(6)** briefly to switch between digits.
3. Press and hold the controller button **(6)** to save your selected date and exit from the submenu.

Time

Time Setting:

1. Press the controller button **(6)** briefly to enter the **Time**



submenu.

2. Rotate the controller ring **(6)** to select the time format – 24 or AM/PM.

3. Press the controller button **(6)** to proceed to the hour setting.
4. Rotate the controller ring **(6)** to select the hour value.
5. Press the controller button **(6)** to proceed to the minute setting.
6. Rotate the controller ring **(6)** to select the minutes value.
7. Press and hold the controller button **(6)** to save your selected time and exit from the submenu.

Units of Measure

Units of measurement selection:

1. Press the controller button **(6)** briefly to enter the **Units of Measure**



submenu.

2. Rotate the controller ring **(6)** to select the unit of measurement – meters or yards, press the controller button **(6)**.
3. Return to submenu will happen automatically.

Default Settings

1. Press the controller button **(6)** briefly to enter the **Default Settings**



submenu.

2. Rotate the controller ring **(6)** to select **"Yes"** to restore default settings or **"No"** to cancel the action.
3. Confirm your selection with a short press of the controller button **(6)**.
 - If **"Yes"** is selected, display will show **"Do you want to restore default settings?"** and **"Yes"** and **"No"** options. Select **"Yes"** to restore default settings.
 - If **"No"** option is selected: the action will be aborted and you will return to the submenu.

The following settings will be returned to their defaults:

Video Recorder Mode – Video	Wi-Fi – off (default password)	Units of Measurement – metric
Observation Mode – Forest	Magnification – initial value	Side Incline – On
Calibration Mode – automatic	PiP – off	Zeroing Profile – A
Interface Language – English	Color Mode – White hot	Reticle selection from the riflescope's memory – 1

Attention! After restoring default settings, the date, time and user pixel map as well as the zeroing profiles data entered by the user are saved.

Format

This menu option allows you to format the device's memory card. All files will be deleted.

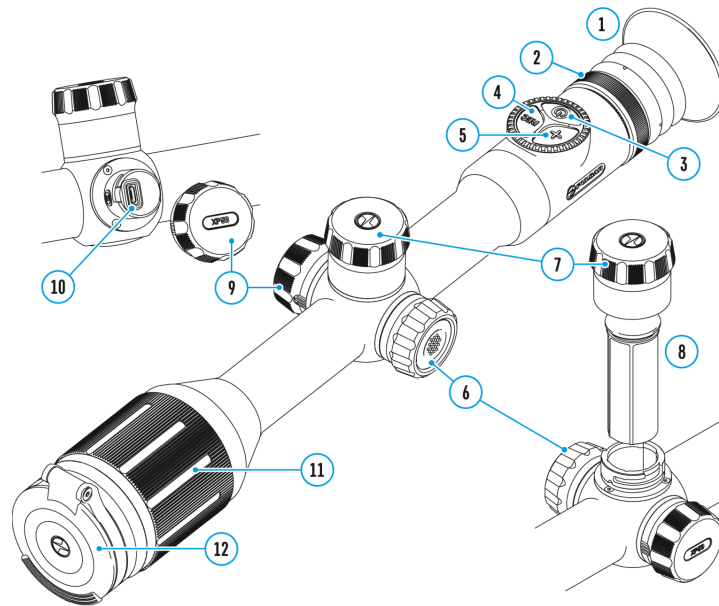
1. Press the controller button **(6)** briefly to enter the **Format**



submenu.

2. Rotate the controller ring **(6)** to select **"Yes"** to format the memory card, or **"No"** to return to the submenu.
3. Confirm your selection by pressing the controller button **(6)**.
 - If the **"Yes"** option has been selected, the **"Do you want to format memory?"** message and **"Yes"** and **"No"** options will appear on the display. Select **"Yes"** to format the memory card.
 - If **"No"** option is selected: formatting is cancelled and return to the submenu.

Color modes



Color mode selection.

White hot is a default display mode for an observed image. The **Color Modes** menu item allows you to select an alternative palette:

1. Press and hold the controller button **(6)** to enter the main menu.
2. Select the **Color Modes**



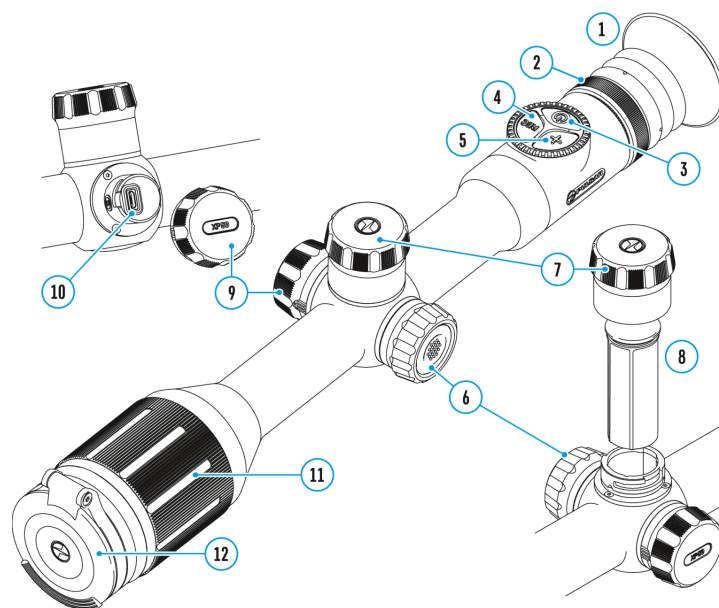
menu item.

3. Press the controller button **(6)** briefly to enter the **Color Modes** submenu.

4. Rotate the controller ring **(6)** to select one of the palettes described below.
 5. Press the controller button **(6)** briefly to confirm your selection.
- White hot – a black and white palette (the black color corresponds to cold temperature, the white color – hot temperature).
 - Black hot – a black and white palette (the white color corresponds to cold temperature, the black color – hot temperature).
 - Red hot
 - Red monochrome
 - Rainbow
 - Ultramarine
 - Violet
 - Sepia

Attention! The device does not measure the temperature of objects being observed. The image is formed based on the temperature differences of the objects.

Microphone



Turning on/off Microphone.

This item allows you to enable (or disable) the microphone for recording sound during video recording.

1. Press and hold the controller button **(6)** to enter the main menu.
2. Rotate the controller ring **(6)** to select the **Microphone**



menu item.

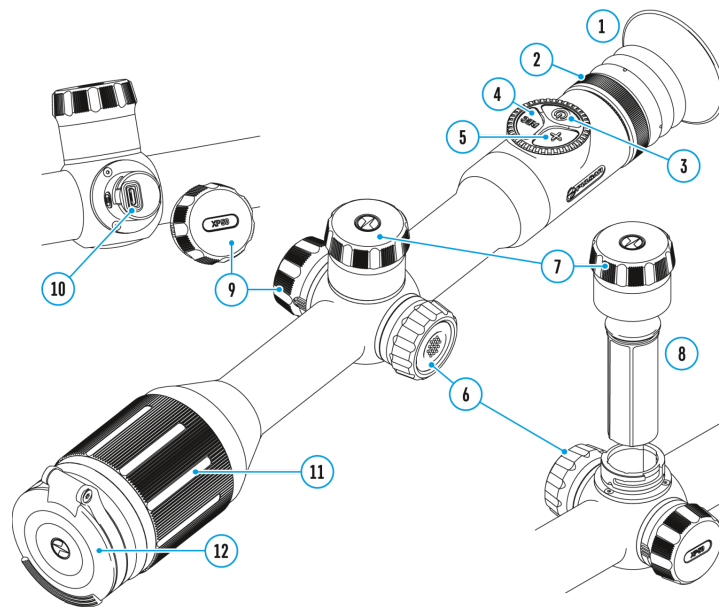
3. To turn on the microphone, briefly press the controller button **(6)**.



4. To turn off the microphone, briefly press the controller button **(6)**.



Calibration mode



Calibration mode selection.

There are three calibration modes: **manual**, **semi-automatic** and **automatic**. The selected calibration mode is displayed in the status bar (see **Status Bar** section).

1. Press and hold the controller button **(6)** to enter the main menu.
2. Rotate the controller ring **(6)** to select the **Calibration Mode**



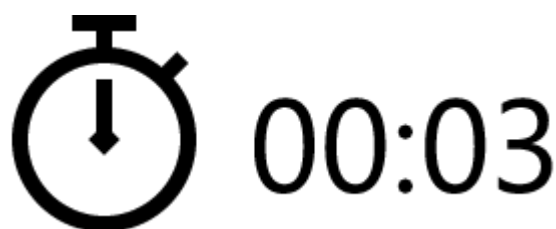
menu item.

3. Press the controller button **(6)** briefly to enter the **Calibration Mode** submenu.
4. Rotate the controller ring **(6)** to select one of the calibration modes described below.
5. Press the controller button **(6)** briefly to confirm your selection.

Automatic (A)

The software determines the need for calibration in automatic mode. The calibration process starts automatically.

A countdown timer



will appear instead of the calibration icon when in automatic calibration mode with 3 seconds remaining until automatic calibration.

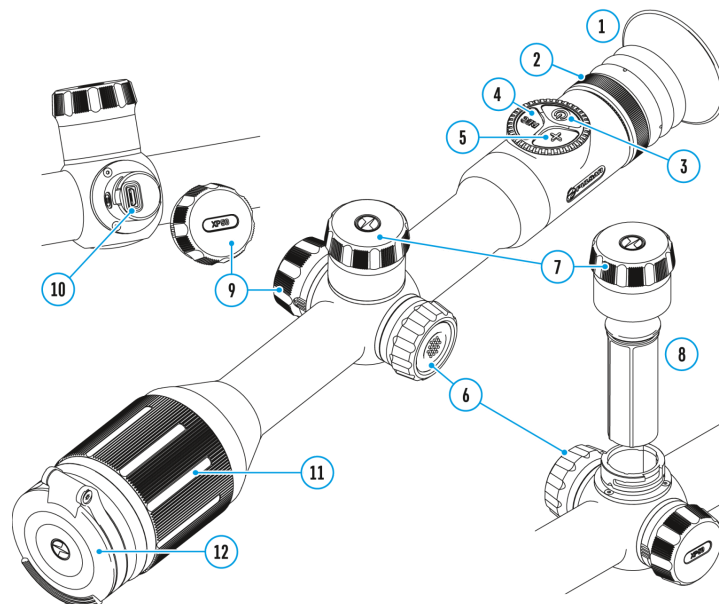
Semi-automatic (SA)

The user independently determines the need for calibration (according to the image being observed).

Manual (M)

Manual calibration. Close the lens cover before starting calibration.

Wi-fi activation



Turn on/off Wi-Fi

1. Press and hold the controller button **(6)** to enter the main menu.
2. Rotate the controller ring **(6)** to select the **Wi-Fi Activation**



menu item.

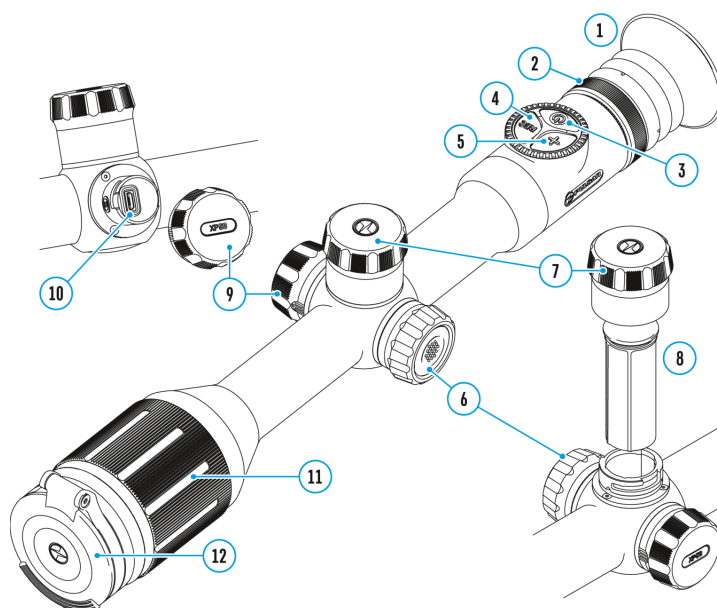
3. To turn Wi-Fi on, briefly press the controller button **(6)**.



4. To turn Wi-Fi off, briefly press the controller button **(6)**.



Icon brightness



Adjust the brightness level of the icons and screensavers (Pulsar, Display off) on the display.

1. Press and hold the controller button **(6)** to enter the main menu.
2. Rotate the controller ring **(6)** to select the **Icon Brightness**

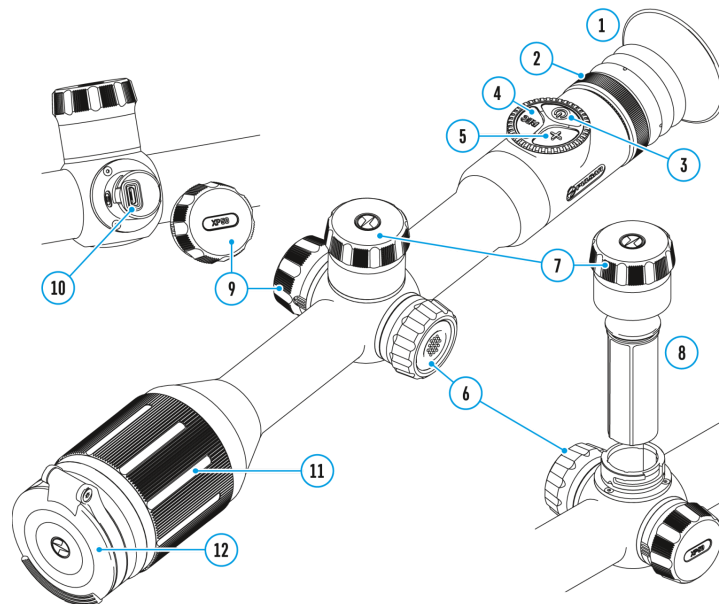


menu item.

3. Press the controller button **(6)** briefly to enter the **Icon Brightness** submenu.
4. Rotate the controller ring **(6)** to set the desired brightness level (1 to 10).

5. Press the controller button **(6)** briefly to confirm the selection.

Reticle setup



This main menu item allows you to select the reticle shape, color and brightness.

1. Press and hold the controller button **(6)** to enter the main menu.
2. Rotate the controller ring **(6)** to select the **Reticle Setup**



menu item.

3. Press the controller button **(6)** briefly to enter the **Reticle Setup** submenu.

Reticle Type

Selection of the aiming reticle shape.

1. Rotate the controller ring **(6)** to select the **Reticle Type**



submenu.

2. Press the controller button **(6)** briefly to enter the **Reticle Type** submenu.
3. Rotate the controller ring **(6)** to select the desired aiming reticle shape from the list that appears. The reticle type changes as the cursor goes down the reticle list.
4. Press the controller button **(6)** briefly to confirm the selection.

Note: the riflescope supports **scalable reticles**.

Reticle Color

Selection of reticle color.

1. Rotate the controller ring **(6)** to select the **Reticle Color**



submenu.

2. Press the controller button **(6)** briefly to enter the **Reticle Color** submenu.
3. Rotate the controller ring **(6)** to select one of the color options for the reticle:
Black/Red, White/Green, Yellow, Black/White, White/Red, Red, Blue, White/Black, Black/Green, Green, Orange
4. Press the controller button **(6)** briefly to confirm the selection.

Reticle Brightness

Adjust the brightness level of the aiming reticle.

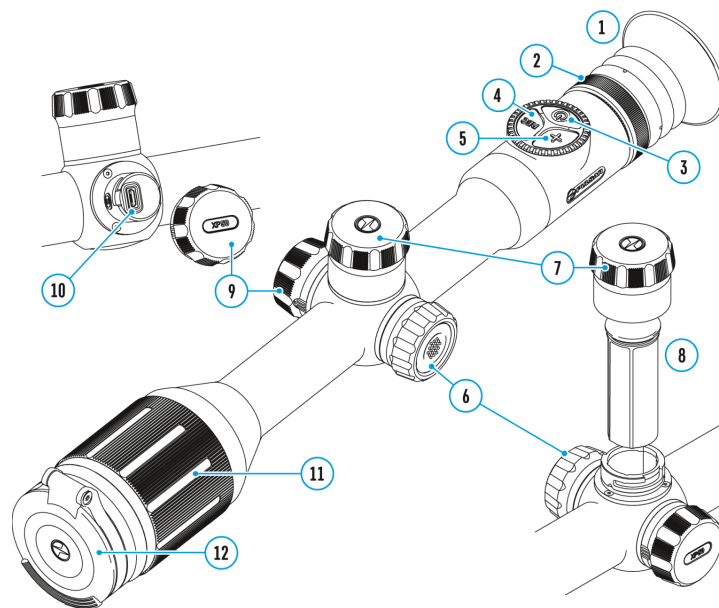
1. Rotate the controller ring **(6)** to select the **Reticle Brightness**



submenu.

2. Press the controller button **(6)** briefly to enter the **Reticle Brightness** submenu.
3. Rotate the controller ring **(6)** to set the desired brightness level (1 to 10).
4. Press the controller button **(6)** briefly to confirm the selection.

Image detail boost



The "Image Detail Boost"



function increases the sharpness of the contours of heated objects, which increases their detail. The result of the function depends on the selected mode and observation conditions: the higher the contrast of objects, the more noticeable the effect. This option is enabled by default, but can be disabled in the main menu.

Turn on/off **Image Detail Boost**:

1. Press and hold the controller button **(6)** to enter the main menu.
2. Rotate the controller ring **(6)** to select the **Image Detail Boost**



menu item.

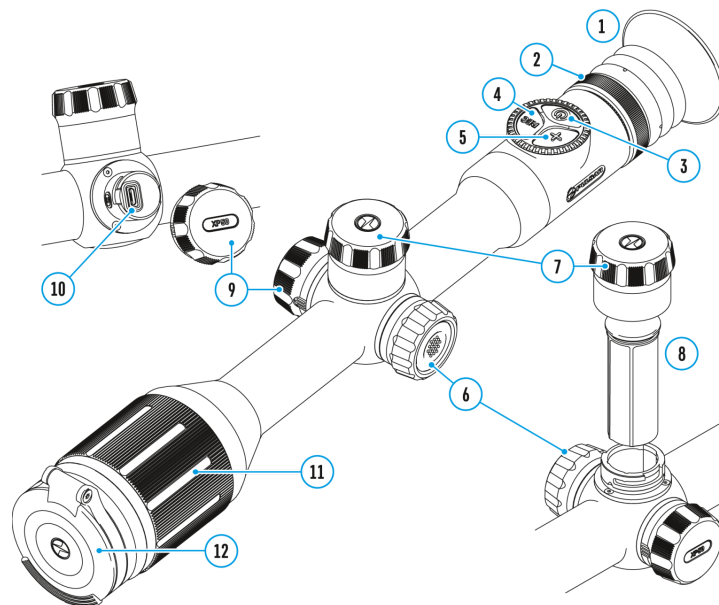
3. To turn Image Detail Boost off, briefly press the controller button **(6)**.



4. To turn Image Detail Boost on, briefly press the controller button **(6)**.



Mode



Thermion thermal riflescopes have three operating modes of the thermal imager: Forest (observation mode of objects within low thermal contrast conditions), Rocks (observation mode of objects within high thermal contrast conditions), Identification (high detalization mode), User (individual brightness and contrast settings). Each mode has been created to provide the best image quality of a wild nature object being observed within various observation conditions.

1. Press and hold the controller button **(6)** to enter the main menu.
2. Rotate the controller ring **(6)** to select the **Mode**



menu item.

3. Press the controller button **(6)** briefly to enter the Mode submenu.
4. Rotate the controller ring **(6)** to select one of the modes: Forest, Rocks, Identification, User.
5. Press the controller button **(6)** briefly to confirm the selection.



Forest

This is the best mode when searching and observing within field conditions, against the background of leaves, bushes and grass. The mode is highly informative about an object being observed as well as landscape details.



Rocks

This is the best mode when observing objects after a sunny day or within urban conditions.



Identification

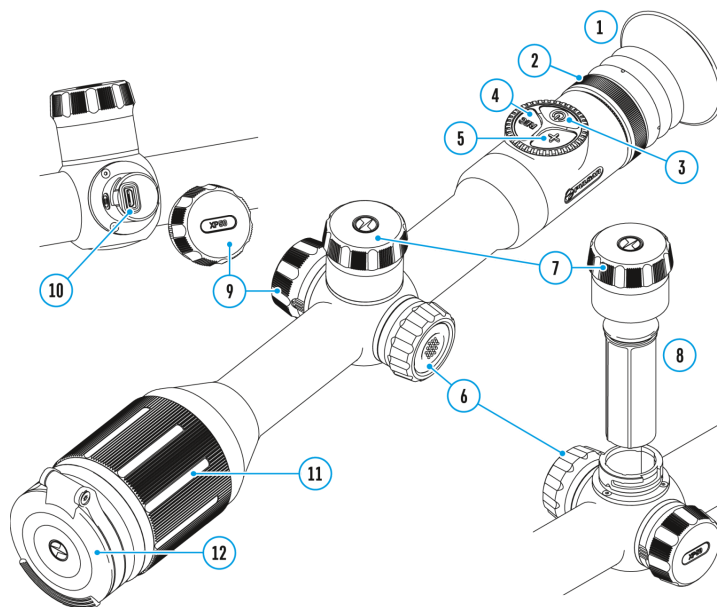
This is the best mode when observing objects within adverse weather conditions (fog, mist, rain and snow). It allows you to recognize the characteristics of an object being observed more clearly. Zoom increase may be accompanied by insignificant image graininess.



User

It allows you to configure and save custom brightness and contrast settings, as well as one of the three modes (Forest, Rocks, Identification) as basic.

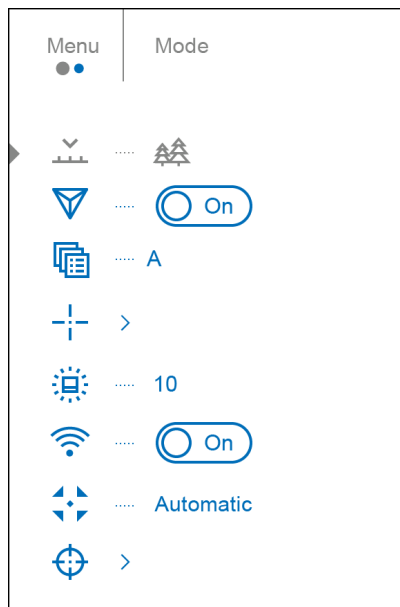
Enter the main menu



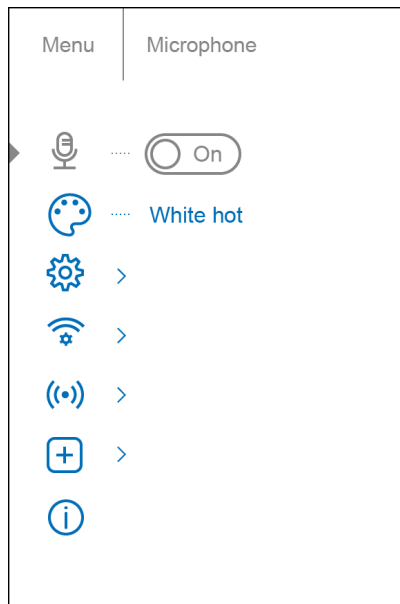
1. Enter the main menu with a long press of the controller button **(6)**.
2. To move through the main menu items, rotate the controller ring **(6)**.
3. Press the controller button **(6)** briefly to open subitems of the main menu.
4. Press and hold the controller button **(6)** to exit from a subitem of the main menu.
5. Automatic exit from the main menu occurs after 10 seconds of inactivity.

General View of the Menu

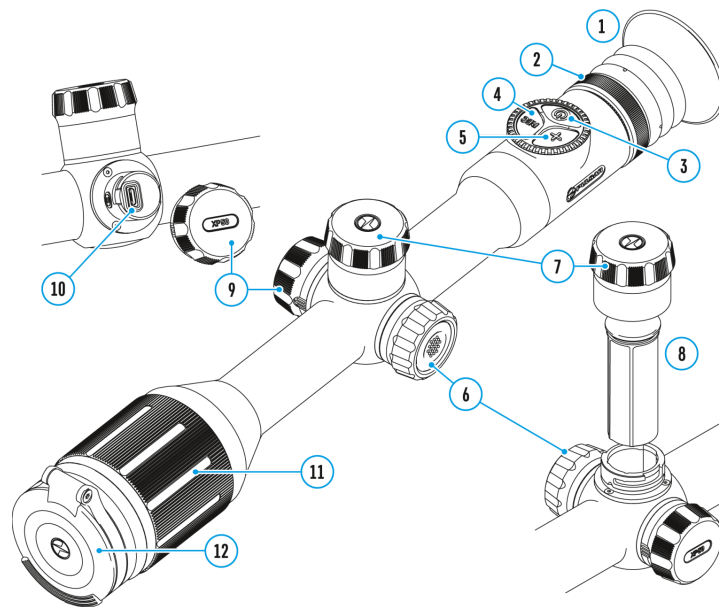
Tab 1



Tab 2



Zeroing profile



This item of the main menu allows you to select one of five profiles (A, B, C, D, E) to use. Each profile includes the following parameters:

- A set of zeroed distances
- Reticle color
- Reticle type

Different profiles can be used when using the riflescope on different rifles or when shooting with different bullets.

Zeroing profiles cannot be deleted. You can change the parameters of zeroing distances or delete distances within a profile.

1. Press and hold the controller button **(6)** to enter the main menu.
2. Rotate the controller ring **(6)** to select the **Zeroing Profile**

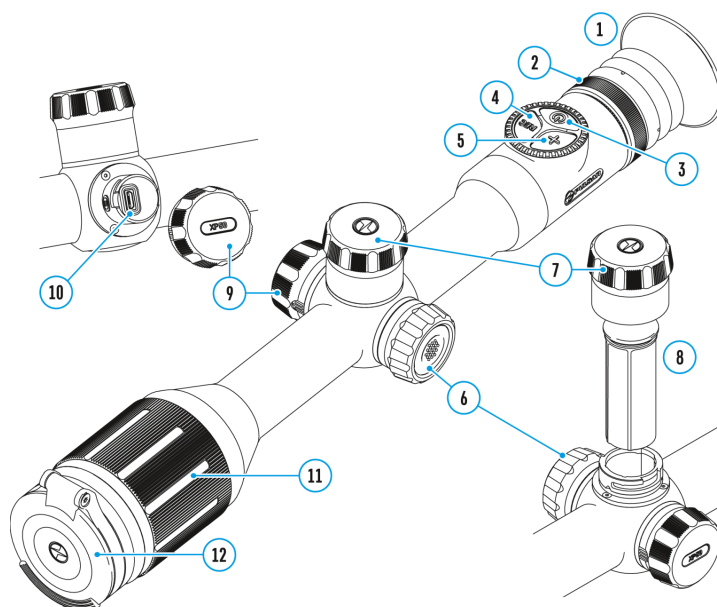


menu item.

3. Press the controller button **(6)** briefly to enter the **Zeroing Profile** submenu.
4. Rotate the controller ring **(6)** to select one of the zeroing profiles (marked with the letters A, B, C, D, E).
5. Confirm your selection with a short press of the controller button **(6)**.
6. The name of the selected profile appears in the status bar at the bottom of the display.

Functions

Scalable reticles



This function is designed to preserve ballistic properties of the scalable reticles for all magnifications.

1. Enter the main menu with a long press of the controller button **(6)**.
2. Enter submenu **Reticle Setup**



with a short press of the controller button **(6)**.

3. Enter submenu **Reticle Type**



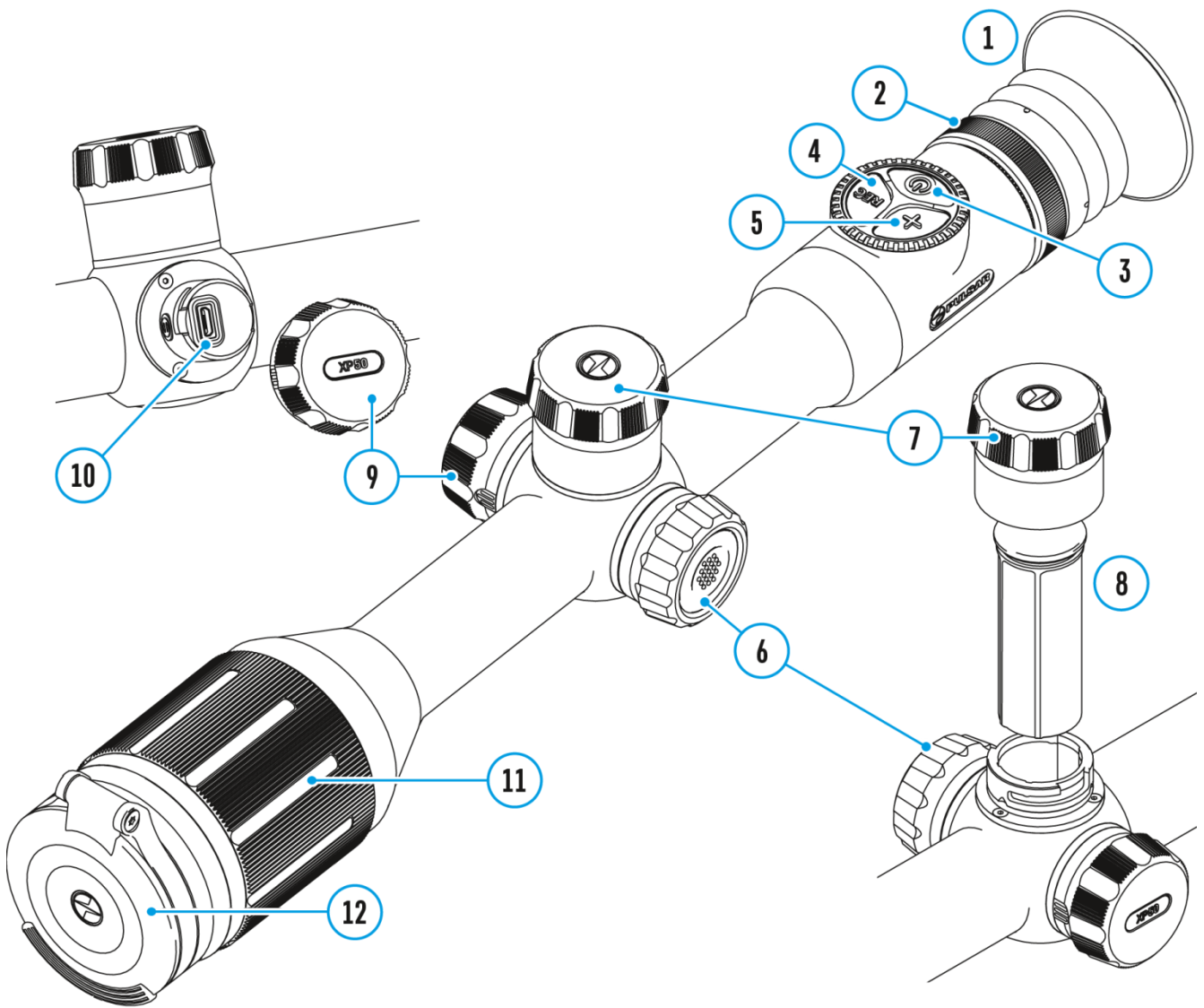
with a short press of the controller button **(6)**.

4. Select the reticle (please check available Scalable reticles in the Reticles catalogue in Downloads section on our [web page](#)).

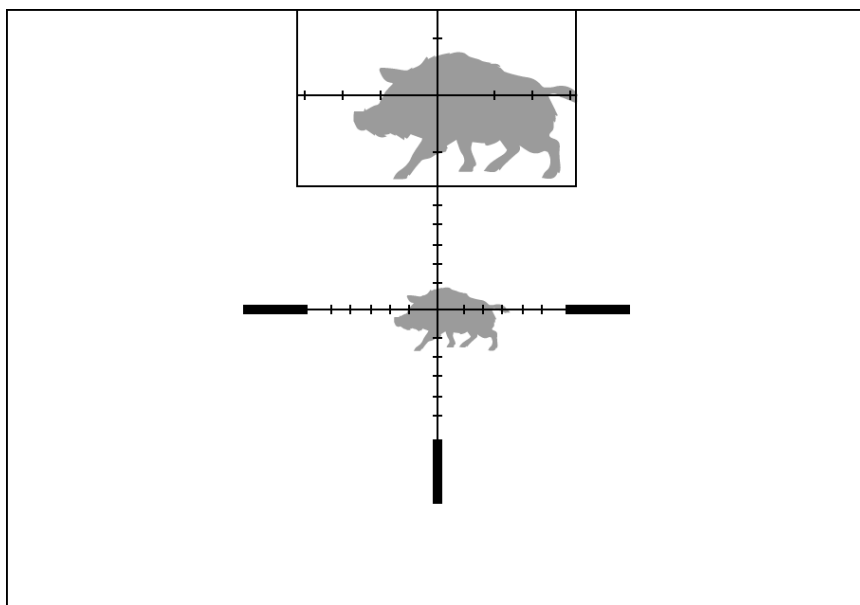
Notes:

- When zooming in and out the image, the selected reticle on the display and in the recorded video changes its geometrical size according to the magnification selected.
- The reticle scale changes both on the main display and in the PiP mode.

PIP function



The PiP function (Picture-in-Picture) allows you to see both a magnified image in a particular dialog box and the main image.



1. Press and hold the **ZOOM (5)** button to turn on/off the PiP function.

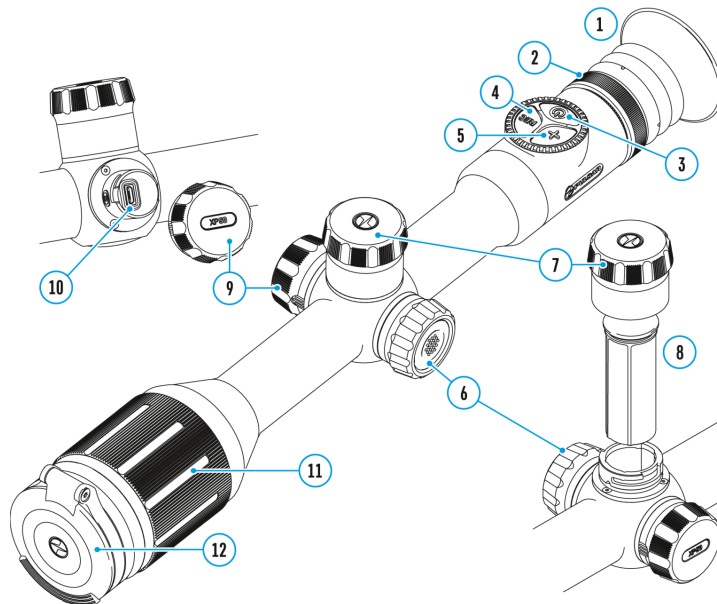
2. To change digital magnification in the PiP window, rotate the controller ring **(6)**, while the icon



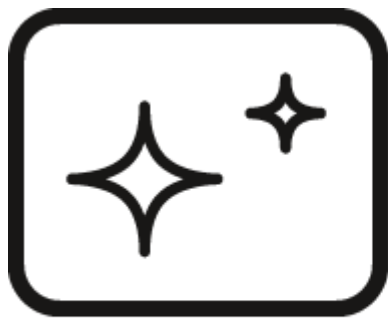
is visible on the screen.

3. The magnified image is displayed in a particular dialog box, with the full magnification being used.
4. The rest of the image is displayed only with the optical zoom (digital zoom is off).
5. When PiP is turned off, the display shows the full magnification set for the PiP mode.

Display-off function



This function deactivates the image transmission to the display by minimizing its brightness. This helps prevent accidental disclosure. However, the device stays on.



00:03

Display off

Options for operating with the Display Off function:

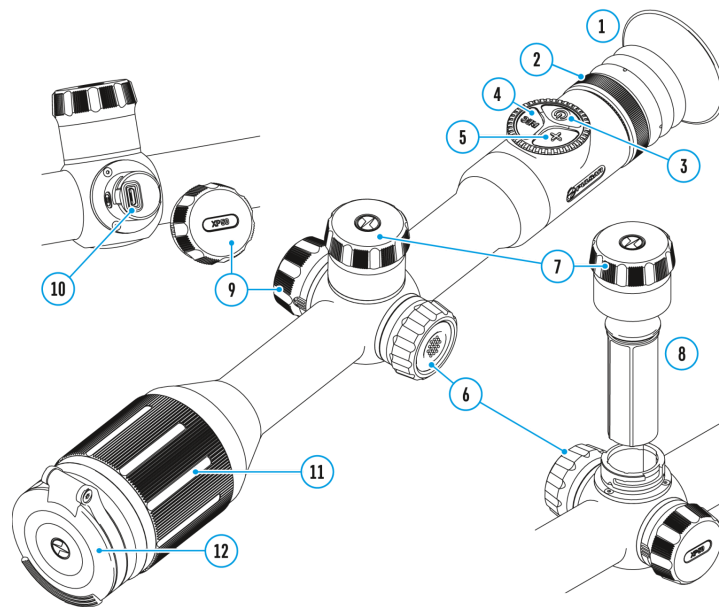
Option 1. Riflescope off. It is necessary to power the riflescope on and activate the Display-Off function.

1. Press the **ON/OFF (3)** button briefly to power the riflescope on.
2. Activate the Display-Off function: press and hold the **ON/OFF (3)** button. The **"Display off"** message with a countdown will appear on the screen.
3. Release the **ON/OFF (3)** button.
4. Press the **ON/OFF (3)** button briefly to deactivate the Display-Off function (to activate the display).

Option 2. The Display-Off function is activated; the riflescope should be turned off.

1. Press and hold the **ON/OFF (3)** button. **"Display off"** message with 3, 2, 1 countdown will appear on the screen.
2. Hold the **ON/OFF (3)** button until the riflescope turns off (the riflescope turns off after counting up to 1).

Wi-fi function



The riflescope has a function for wireless communication with mobile devices (smartphone or tablet) via Wi-Fi.

1. To enable the wireless module, enter the main menu by long pressing the controller button **(6)**.
2. Rotate the controller ring **(6)** to select the **Wi-Fi Activation**



menu item.

3. Press the controller button **(6)** briefly to turn on/off Wi-Fi module.

Wi-Fi is displayed in the status bar as follows:

Connection Status	Indication in the Status Bar
Wi-Fi is switched off	
Wi-Fi is switched on by the user, Wi-Fi connection in the riflescope is in progress.	
Wi-Fi is switched on, there is no connection to the riflescope	
Wi-Fi is switched on, there is connection to the riflescope	

- An external device recognizes the riflescope under the name Thermion_XXXX, where XXXX are the four last digits of the serial number.
- After entering the password (**default: 12345678**) on a mobile (see **Password Setup** subsection of the **Wi-Fi Settings** section for more information on setting a

password) and setting up a connection, the icon

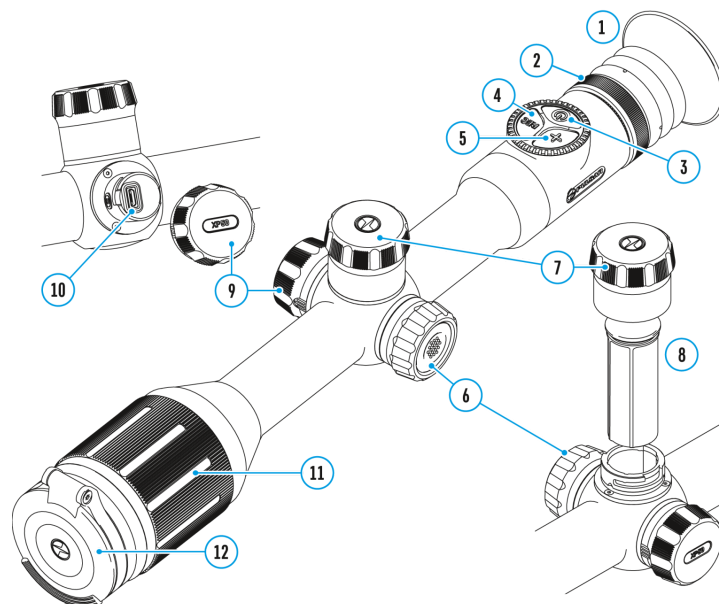


in the riflescope status bar changes to



- Launch Stream Vision application on your mobile device.
- Video broadcasting on a mobile screen starts after the viewfinder button on the mobile screen is activated.

Stadiametric rangefinder



Thermal imaging riflescopes are equipped with a stadiametric rangefinder, which allows you to determine the approximate distance to an object, if its size is known.



1. To select the **Stadiametric Rangefinder** function, enter the **Quick Menu** by briefly pressing the controller button **(6)**.
2. Press the controller button **(6)** briefly to select the icon



3. The display will show the lines for measurements, the icons and numbers of the measured distance for three objects.
4. Place the bottom fixed line under the object.
5. Rotate the controller ring **(6)** to move the upper line relative to the lower horizontal fixed line so that the object is located directly between the lines. A target range automatically recalculated along with movement.
6. To exit the rangefinder mode, briefly press the controller button **(6)** or wait 10 seconds to exit automatically.

Notes:

- There are three predefined values for objects: Hare – 0.3 m high, Boar – 0.7 m high, Deer – 1.7 m high.
- The measured range value is rounded off before being displayed – for large range values up to 5 m, for shorter range – up to 1 m.
- To select a unit of measurement (meters or yards), go to the **General Settings**

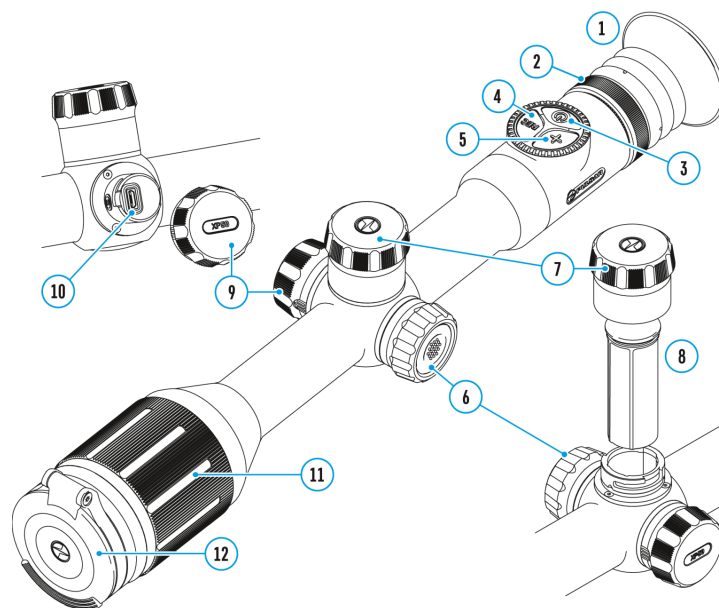


menu item ⇒ **Units of Measure**



submenu.

Video recording and photography



The riflescope is equipped with a function for video recording (photography) of the observed image that is saved on the built-in memory card.

Before using the photo and video functions, read the **Date** and **Time** subsections of the **General Settings** section.

For information on how to watch recorded photos and videos, see the Stream Vision 2 user manual: [Android](#), [iOS](#).

Built-in recorder operates in two modes:

- **Photo** (photography; the icon



is displayed in the upper left corner of the display).

- **Video** (video recording; the icon



is displayed in the upper right corner of the display, the total remaining recording time is given taking into account the current resolution in the HH:MM format (hours:minutes).

Toggle (switch) between the riflescope operating modes with a long press of the **REC (4)** button. Switching between the modes is cyclical (**Video**→**Photo**→**Video**...).

Photo mode. Capturing an image

1. Switch to **Photo** mode with a long press of the **REC (4)** button.
2. Press the **REC (4)** button briefly to capture a photo. The image freezes for 0.5 sec – a photo is saved to the internal memory.

Video mode. Recording a video

1. Switch to the **Video** mode with a long press of the **REC (4)** button.
2. Press the **REC (4)** button briefly to start video recording.
3. When the video recording starts, the icon



will disappear, instead of it the **REC** icon as well as the video recording timer displayed in the MM:SS (minutes:seconds) format will appear

●REC | 00:25

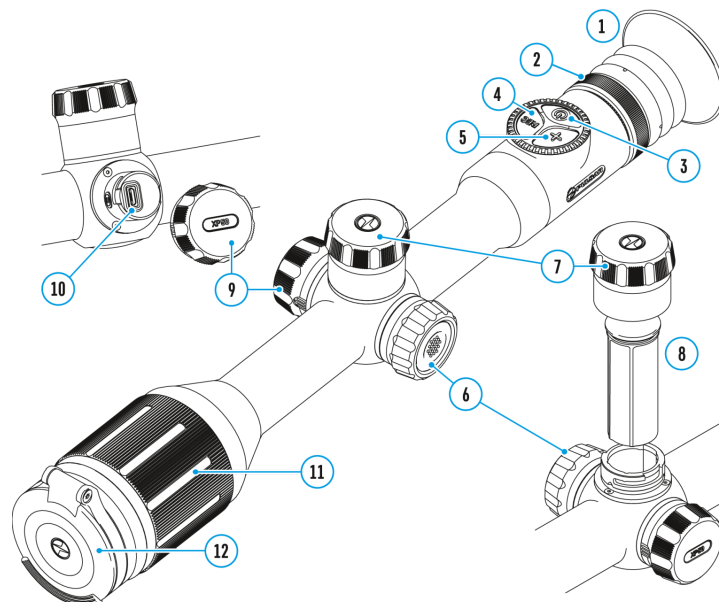
4. Pause/continue recording by briefly pressing the **REC (4)** button.
5. Press and hold the **REC (4)** button to stop video recording.
6. Video files are stored in the built-in memory card:
 - After turning off the video recording;
 - Upon powering the riflescope off if recording was on;
 - When the memory card is overfilled during recording (Memory Full message appears on the display).

Notes:

- You can enter and navigate the menu during video recording.

- Recorded videos and photos are saved to the built-in memory card of the riflescope in the format img_XXX. jpg (for photos); video_XXX. mp4 (for video). XXX – three-digit counter (for videos and photos);
- The counter used for the names of multimedia files cannot be reset;
- If a file is deleted from the middle of the list, its number is not taken by the other file;
- When the counter is full, a new folder is created: img_XXXX; xxxx being a file counter;
- The maximum duration of a recorded file is five minutes. After this time expires, a video is recorded into a new file. The number of recorded files is limited by the capacity of the device's internal memory.
- Regularly check free memory within the built-in memory card and move the footage to other storage media to free up the memory card space.
- When the Display Off function is activated, video recording is paused.

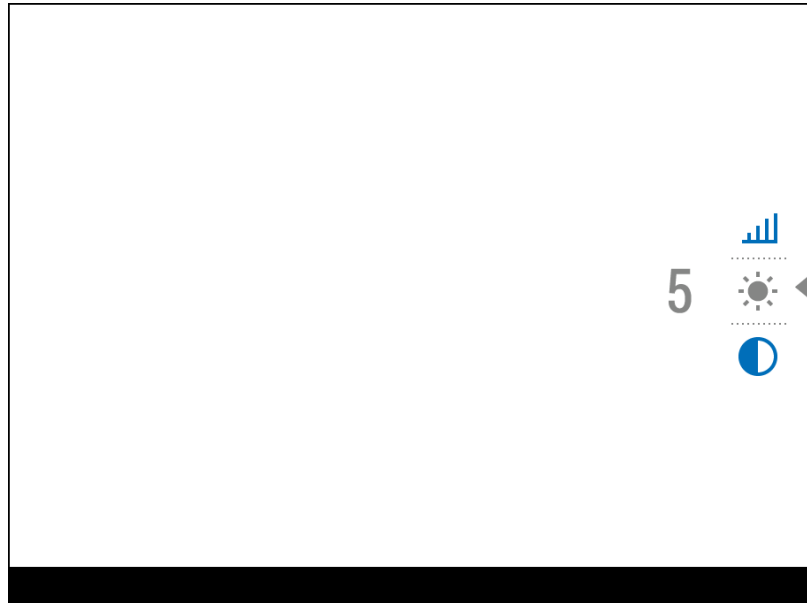
Quick menu functions



The basic settings (adjusting brightness and contrast, using the function of smooth digital zoom, a stadiametric rangefinder, information on the current profile and distance) can be changed using the quick access menu.

- Press the controller button **(6)** briefly to enter the quick menu.

- A short press of the controller button **(6)** enables you to switch between functions, as described below.



Brightness



– rotate the controller ring **(6)** to change the display brightness value from 00 to 20.

Contrast



– rotate the controller ring **(6)** to change the image contrast value from 00 to 20.

Base mode



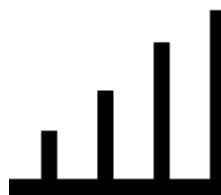
– it allows you to select one of the three observation modes (Forest, Rocks, Identification) as a base for the User mode.



– information on the current profile and zeroing distance in this profile (e.g., profile A, zeroing distance of 100 m). This information is always displayed in the status bar. Rotate the controller ring **(6)** to switch between the zeroing distances in the selected profile. This function is available if there are two or more distances in the profile.

Tip: To quickly switch between distances while hunting, leave the Zeroing Distance option selected before exiting the quick menu. The menu item will be saved, and the next time you enter the quick menu, you can quickly switch the zeroing distances by turning the controller **(6)** (for example, 100 m, 150 m, 200 m).

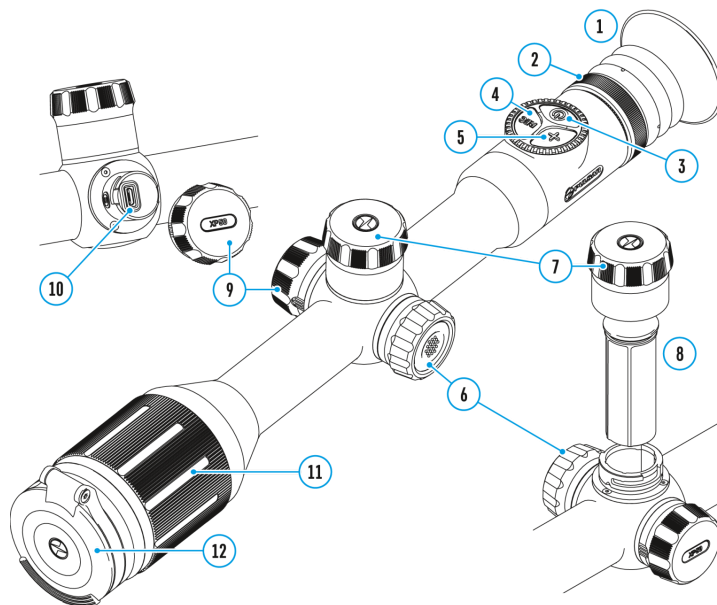
Stadiametric rangefinder



– rotating the controller ring **(6)**, change the distance between the special mark points to determine the distance to the observed object (for more details on the rangefinder, see the **Stadiametric Rangefinder** section).

- Press and hold the controller button **(6)** to exit the menu or wait 10 seconds to exit automatically.

Discrete digital zoom



Discrete digital zoom allows you to quickly increase the basic magnification (see **Magnification** line in the table of **Technical Specifications**) by 2x and 4x (8x for XP models), as well as return to the basic magnification.

- Press the **ZOOM (5)** button successively to change the magnification ratio of the riflescope.
- While the icon



is visible on the screen, rotate the controller ring (**6**) for smooth digital zooming from the current magnification.

Smart reticle function

When changing the riflescope digital magnification, the reticle that appears on the display is scaled; the reticle appearance will change (enlarge or reduce) proportionally to the magnification. It allows the use of the rangefinder reticles with any digital magnification.

*Only for scalable reticles X51Fi-300, M56Fi, M57Fi

Software

Stream vision 2



Thermion support Stream Vision and Stream Vision 2 mobile apps that allow you to stream real-time image from your thermal imager to your smartphone or tablet via Wi-Fi. We recommend using the latest version of Stream Vision 2.

We recommend using the latest version – Stream Vision 2.



Mobile App

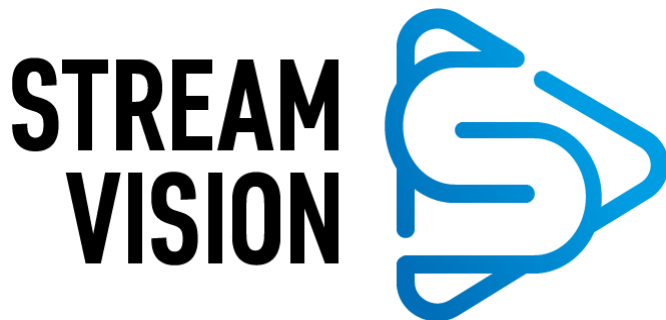
STREAM VISION 2

You can find further guidelines on Stream Vision 2 [here](#).

[Download from Google Play](#)

[Download from App Store](#)

Find answers to frequently asked questions about using Stream Vision 2 [here](#).



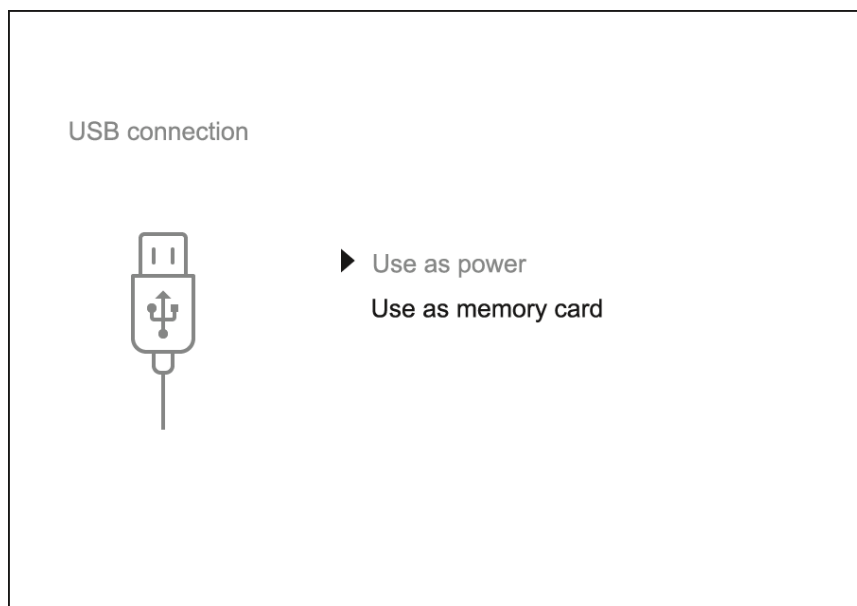
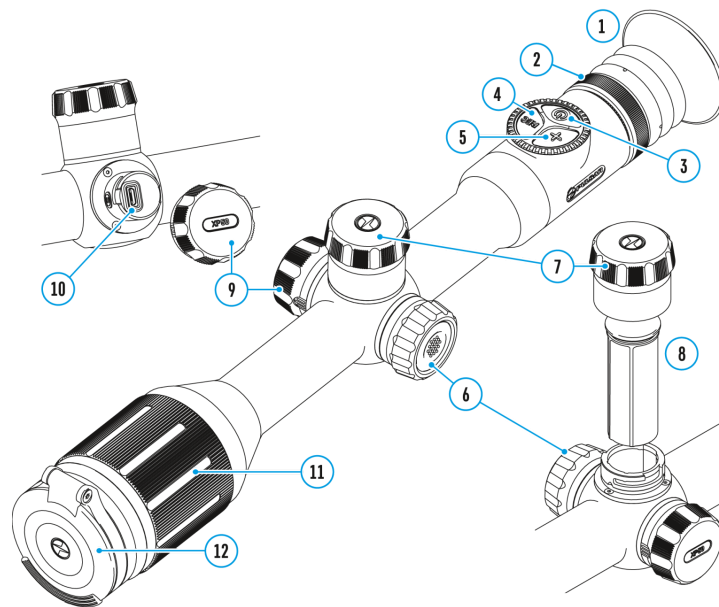
You can find further guidelines on Stream Vision [here](#).

[Download from Google Play](#)

[Download from App Store](#)

Find answers to frequently asked questions about using Stream Vision [here](#).

USB connection



1. Press the **ON/OFF (3)** button briefly to power the riflescope on (the computer will not detect the riflescope if it is turned off).
2. Connect one end of the USB cable to the riflescope micro USB port **(10)** and the other one to the port on your computer.
3. The riflescope is detected by the computer automatically and no installation of drivers is required.
4. After a few seconds, two connection options appear on the display: **Power** and **Memory card**.
5. Rotate the controller ring **(6)** to select the connection mode.
6. Press the controller button **(6)** briefly to confirm your selection.

Connection Options:

Power

- Upon choosing this mode, your PC is used as an external power supply. An icon



will appear in the status bar.

- The riflescope continues operating and all functions are accessible.
- The Battery Packs installed in the riflescope are not charged.

Memory Card

- When selecting this mode, the computer recognizes the riflescope as a memory card. This mode is designed to manage the files saved in riflescope's memory.
- The riflescope's functions are not available in this mode; the riflescope turns on. The device continues to operate after being disconnected from the computer.
- If a video was being recorded at the moment of connection, the recording will stop and will be saved.

USB Disconnection:

- When disconnecting from the computer, the device will continue to operate from the battery pack (if it is present and holding enough charge).
- When the USB is disconnected from the riflescope connected in the **Memory Card** mode, the riflescope remains switched on.

Firmware update

Stream Vision 2

1. Download free Stream Vision 2 App in **Google Play** or **App Store**.
2. Connect your Pulsar device to your mobile device (smartphone or tablet).
3. Launch Stream Vision 2 and go to section "Settings".
4. Select your Pulsar device and press "Check firmware update".
5. Wait for the update to download and install. Pulsar device will reboot and will be ready to operate.

Important:

- if your Pulsar device is connected to phone, please turn on mobile data transfer (GPRS/3G/4G) to download update;

- if your Pulsar device is not connected to your phone but is already listed in “Settings” > “My devices” section, you may use Wi-Fi to download update.

Find answers to frequently asked questions about using Stream Vision 2 [here](#).

Stream Vision

1. Download free of charge Stream Vision App on [Google Play](#) or [App Store](#).
2. Connect your Pulsar device to your mobile device (smartphone or tablet).
3. Launch Stream Vision and go to section “My Devices”.
4. Select your Pulsar device and press “Check Updates”.
5. Wait for the update to download and install. Pulsar device will reboot and will be ready to operate.

Important:

- if your Pulsar device is connected to phone, please turn on mobile data transfer (GPRS/3G/4G) to download update;
- if your Pulsar device is not connected to your phone but it’s already in the “My Devices” section, you may use Wi-Fi to download update.

Find answers to frequently asked questions about using Stream Vision [here](#).

Is your firmware up to date?

Click [here](#) to check the latest firmware for your device.

Maintenance

Technical maintenance

The maintenance should be carried out at least twice a year and includes the following steps:

Wipe the exterior surfaces of metal and plastic parts off dust and dirt with a cotton cloth. To avoid damage to the paint coating, do not use chemically active substances, solvents, etc.

Clean the electric contacts of the battery pack and battery slots on the riflescope using a non-greasy organic solvent.

Check the optics of the eyepiece and the lens. If necessary, remove dust and sand from the optics (it is preferable to use a non-contact method). Cleaning of the exterior surfaces of the optics should be done with cleaners designed especially for this purpose.

Technical inspection

It is recommended to carry out a technical inspection each time before using the riflescope. Check the following:

The riflescope appearance (there should be no cracks on the body).

The condition of the lens and eyepiece (there should be no cracks, greasy spots, dirt or other deposits).

The state of the rechargeable battery (must be charged to 50-70%) and the electric contacts (should be no signs of salts, oxidation or debris).

The controls should be in working order.

Troubleshooting

For technical support please contact support@pulsar-vision.com.

Answers to frequently asked questions about the devices can also be found in the **FAQ** section.

The device does not turn on

Possible cause

The Battery Pack is empty.

Solution

Charge the battery pack.

Solution

In case of any malfunctions during operation, try resetting the device by long pressing the ON/OFF button for 10 seconds.

Possible cause

USB cable is damaged.

Solution

Replace USB cable.

Possible cause

The external power supply is discharged.

Solution

Charge the external power supply.

Possible cause

Calibration is required.

Solution

Perform image calibration according to **Microbolometer Calibration** section.

Solution

If the image does not clear after calibration, you need to recalibrate.

Possible cause

After turning on the device, it takes some time for the sensor temperature to stabilize. This is normal and is not a defect.

Possible cause

The diopter adjustment range is not enough for your eyesight.

Solution

If you wear glasses with a range of -3/+5, keep glasses on when looking through the eyepiece.

Possible cause

The device was exposed to static electricity during operation.

Solution

After exposure to static electricity, the device may either reboot automatically, or require turning off and on again.

Possible cause

Brightness or contrast level is too low.

Solution

Adjust the brightness or contrast in the **Quick Menu**.

Possible cause

Dust and condensation are covering the outside or inside optical surfaces.

Solution

Wipe the outside optical surfaces with a soft cotton cloth. Let the riflescope dry by leaving it in a warm environment for 4 hours.

Possible cause

The lens is not focused (except for Model XM30).

Solution

Adjust the image sharpness by rotating the lens focus ring.

Possible cause

The riflescope is not mounted securely or the mount was not fixed with thread sealant.

Solution

Check that the riflescope has been securely mounted.

Make sure that the same cartridge type and load bullets are being used as when the scope was initially zeroed.

If your riflescope was zeroed during the summer, and is now being used in the winter (or the other way round), in the day or night, or through extreme temperature changes) slight shifts in points of impact are possible. Double-checking your zero before hunting is recommended.

Possible cause

After shooting, the aiming reticle may not be in the centre of the display. This is normal and is not a defect.

Possible cause

Wrong settings.

Solution

Adjust the riflescope according to the **Powering on and Image Setting** section.

Check the outer surfaces of the objective lenses and eyepiece and, where necessary, wipe away dust, condensation, frost, etc. In cold weather, you can use special anti-fogging coatings (e.g., the same as for corrective glasses).

Possible cause

Password in the riflescope was changed.

Solution

Delete network and connect again inserting the password saved in the riflescope.

Possible cause

There are too many Wi-Fi networks in the area where the riflescope is located which may cause signal interference.

Solution

To ensure stable Wi-Fi performance, move the riflescope to an area with few or no Wi-Fi networks.

Possible cause

Smartphone or tablet is out of range of a strong Wi-Fi signal. There are obstacles between the device and the smartphone or tablet (e.g., concrete walls).

Solution

Relocate smartphone or tablet into the Wi-Fi signal line of sight.

Possible cause

Observation through glass.

Solution

Remove the glass from the field of vision.

Possible cause

These problems may occur during observation in adverse weather conditions (snow, rain, fog etc.).

Solution

Presence of dots is caused by peculiarities of microbolometer or display production technology and is not a defect.

Possible cause

In positive temperature conditions, objects being observed (surroundings and background) heat up differently because of thermal conductivity, thereby generating a high temperature contrast. Consequently, the image quality produced by the thermal imager will be better.

In low-temperature conditions, objects being observed (background) will cool down to roughly the same temperature, which leads to a greatly reduced temperature contrast and a degraded image quality. This is normal for all thermal imaging devices.

Solution

To replace the USB cable, contact your **local distributor**.

Self-repair of the cable is prohibited.

The ability to use a USB cable from other manufacturers with the device may be limited.

Legal compliances and disclaimers

Attention! Thermion thermal imaging riflescopes require a license when exported outside your country.

Electromagnetic compatibility. This product complies with the requirements of European standard EN 55032: 2015, Class A.

Caution: Operating this product in a residential area may cause radio interference.

Updates of the Product. The manufacturer reserves the right at any time, without mandatory prior notice to the Customer, to make changes to the package contents (subject to the applicable laws, if any), design and characteristics that do not impair the quality of the Product.

Repair. Repair of the product is available within 5 years after purchase of the product.

Limitation of Liability. Subject to mandatory applicable laws and regulations: manufacturer will not be liable for any claims, actions, suits, proceedings, costs, expenses, damages or liabilities (if any), arising out of the use of this product. Operation and use of the product are the sole responsibility of the Customer. Manufacturer's sole undertaking is limited to providing the product(s) and related services in accordance with the terms and conditions of concluded transactions, including provisions established in warranty. The provision of products sold and services performed by Manufacturer to the Customer shall not be interpreted, construed, or regarded, either expressly or implied, as being for the benefit of or creating any obligation toward any third party (other than Distributor, Dealer, Buyer). Manufacturer's liability hereunder for damages, regardless of the form or action, shall not exceed the fees or other charges paid to Manufacturer for the product(s) and/or service(s).

MANUFACTURER WILL NOT BE LIABLE FOR LOST REVENUES OR INDIRECT, SPECIAL, INCIDENTAL, CONSEQUENTIAL, EXEMPLARY, OR PUNITIVE DAMAGES, EVEN IF THE MANUFACTURER KNEW OR SHOULD HAVE KNOWN THAT SUCH DAMAGES WERE POSSIBLE AND EVEN IF DIRECT DAMAGES DO NOT SATISFY A REMEDY.

EAC

C E

