

RIFLE MOUNTS Manual

[Description](#)

[Package Contents](#)

[Installation Procedure](#)

[Mount position options](#)

[Legal Compliances and Disclaimers](#)

Description

Pulsar quick detach universal mounts are designed for quick installation of digital and thermal imaging riflescopes on a hunting shotgun.

The mounts are compatible with the mounting prism of the Talion, Digisight / Digisight Ultra, Apex, Trail riflescopes.

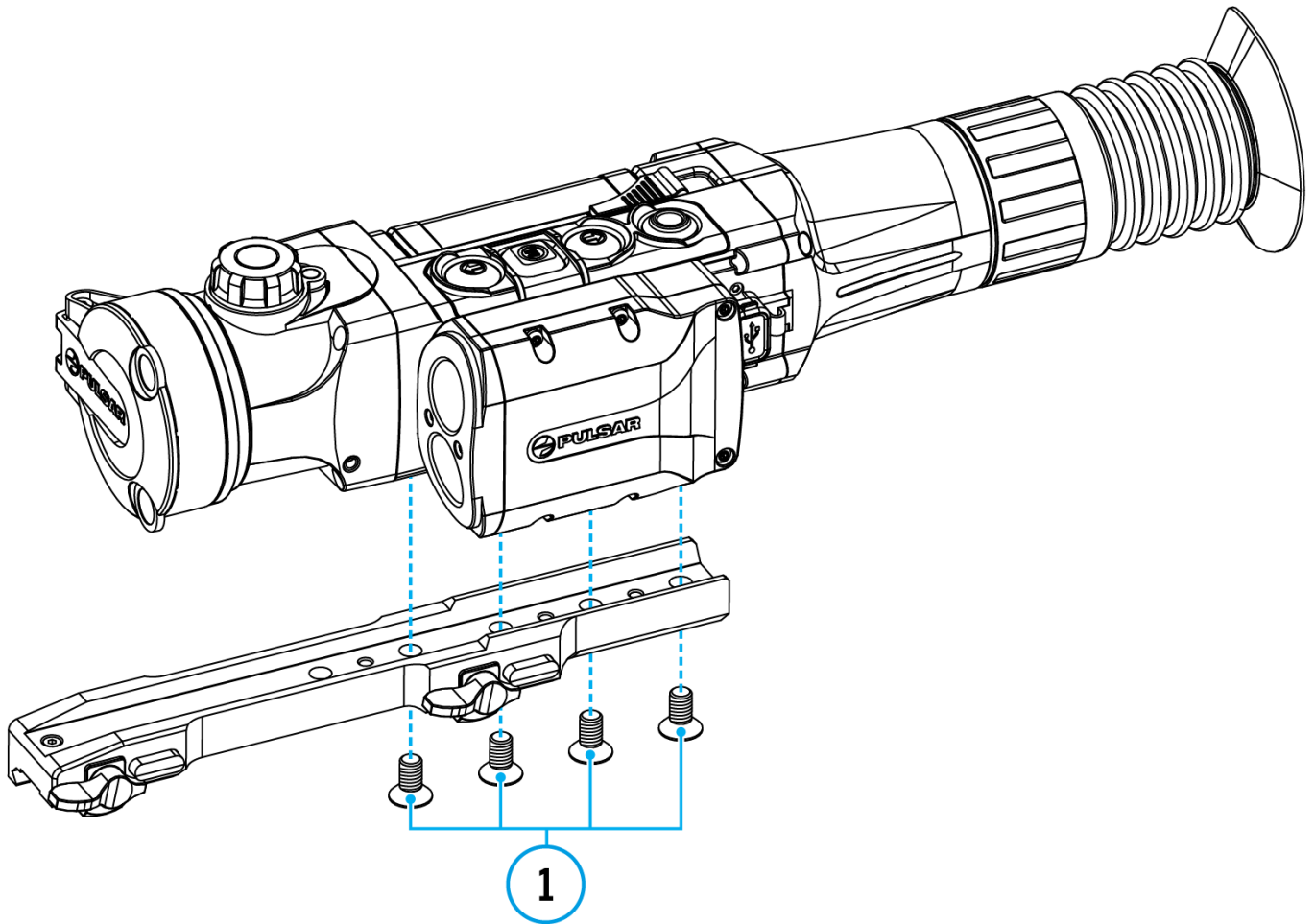
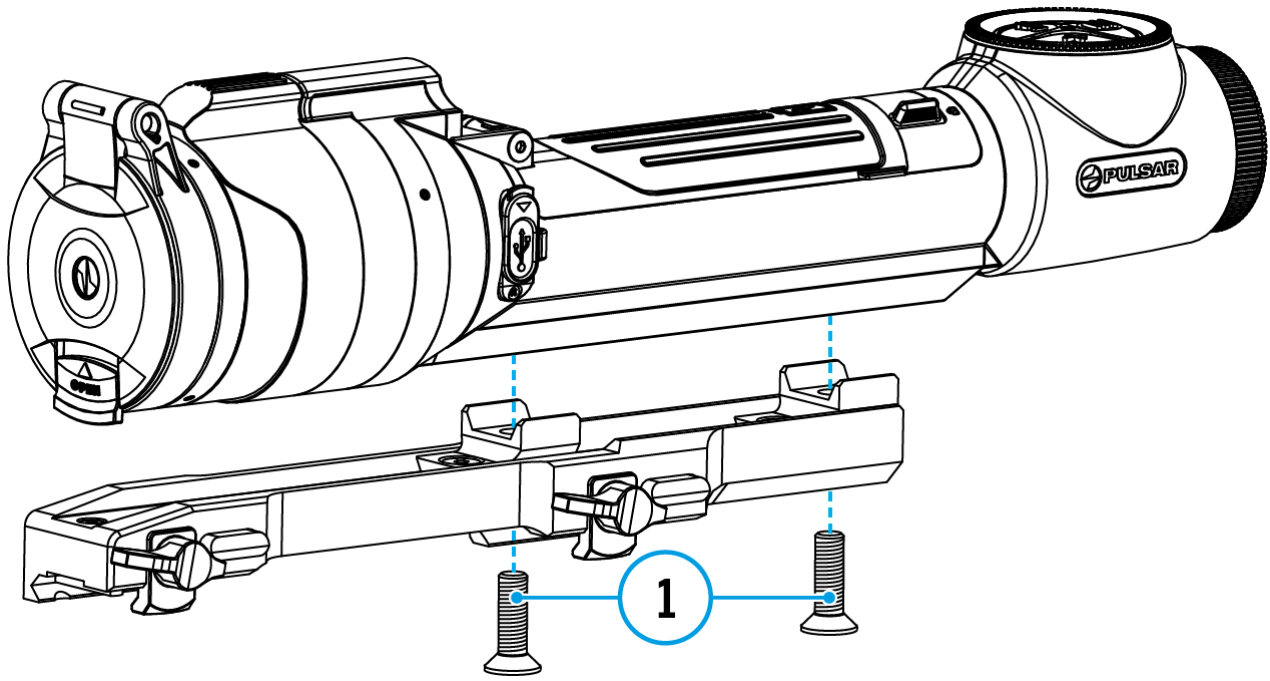
The length of Weaver USQD mounts – 204 mm.

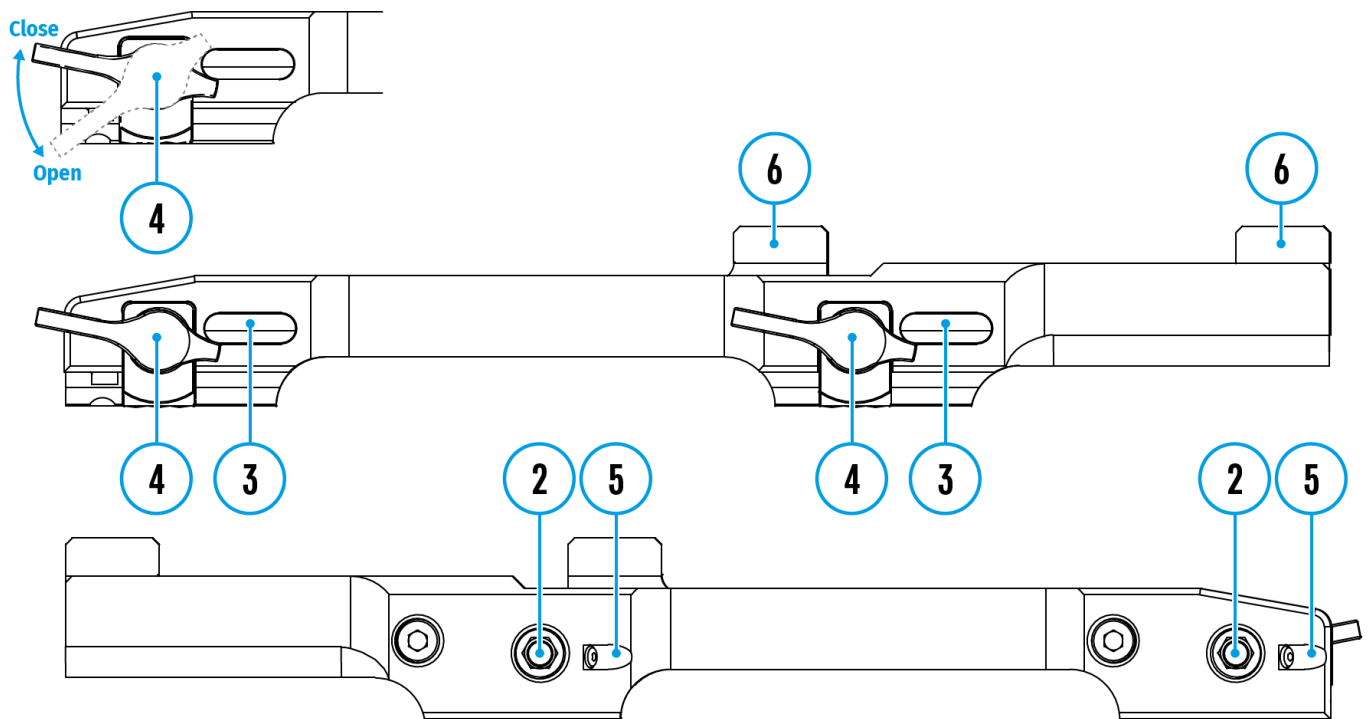
The distance between the centers of the screws securing the mount to the weapon rail (Weaver/Picatinny) is 112 mm.

Package Contents

- Mount
 - Mounting screws (4 screws M6x12, 2 screws M6x20, 1 screw M6x16, 1 screw M6x25)
 - Allen keys (S1.5; S2.5; S4; S5)
 - User manual
-

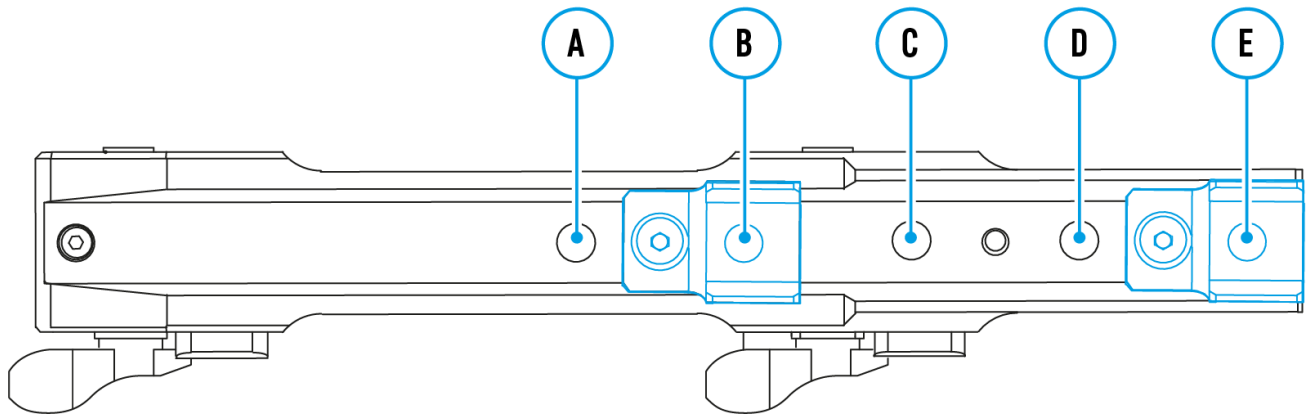
Installation Procedure






Important

- Mounting slots in the riflescope base allow you to install the mount into one of several **positions**. Choosing the position of the mount helps to ensure correct eye relief, depending on the type of hunting shotgun.
- Weaver USQD mounts can be attached using either two, three or four screws depending on the riflescope model and the selected mount position.
- Use 2 screws M6×20 to fix the mount on Talion riflescopes; use 1 screw M6×25 for the mount center bore **(C)**.



	A	B	C	D	E
Talion	M6X20	M6X20	M6X25	M6X20	M6X20
Digisight, Digisight Ultra, Apex, Trail	M6X12	M6X12	M6X16	M6X12	M6X12

- To install the mount on Digisight/Digisight Ultra, Apex, Trail riflescopes, disconnect the adapters **(6)** using an S2.5 Allen key.

Installation

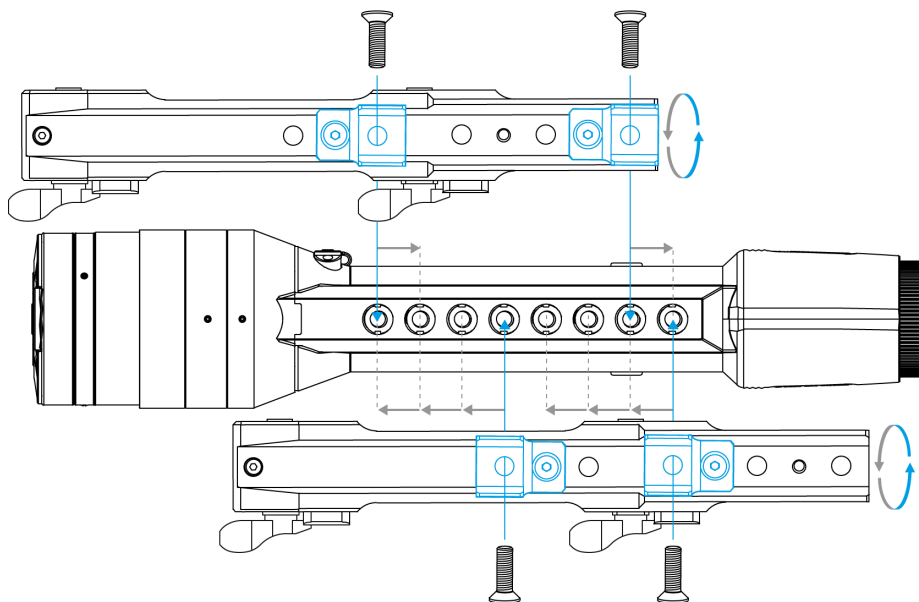
- Attach the mount to the rifle scope base using the S4 Allen key and screws **(1)** (clamping force – 4 Nm/35.4 in-lbs).
- Mount the rifle scope on the weapon rail and make sure the chosen position is comfortable.
- Remove the rifle scope from the weapon rail.
- Unscrew the screws one by one, apply a drop of *Loctite* and screw back until it stops (clamping force – 4 Nm/35.4 in-lbs). Allow the *Loctite* to dry for some time.
- Move the clamps **(4)** to the OPEN position.
- Install the mount with rifle scope on the weapon rail.
- Move the clamps **(4)** from the OPEN position to the CLOSE position.
- If there is any backlash, do the following:

- Loosen the locking screws **(5)** using the S1.5 Allen key.
 - Tightening the adjusting nuts **(2)** of the clamps **(4)** with the S5 Allen key, ensure that the mount is securely fixed to the riflescope weapon rail and has no backlash.
 - Having achieved the optimal position of the clamps **(4)**, fix them with the screws **(5)** using the S1.5 Allen key.
- 9.** Press the locks **(3)** and move the clamps to the OPEN position, the mount should easily be removed from the leaf.
- 10.** The riflescope is ready for zeroing.
-

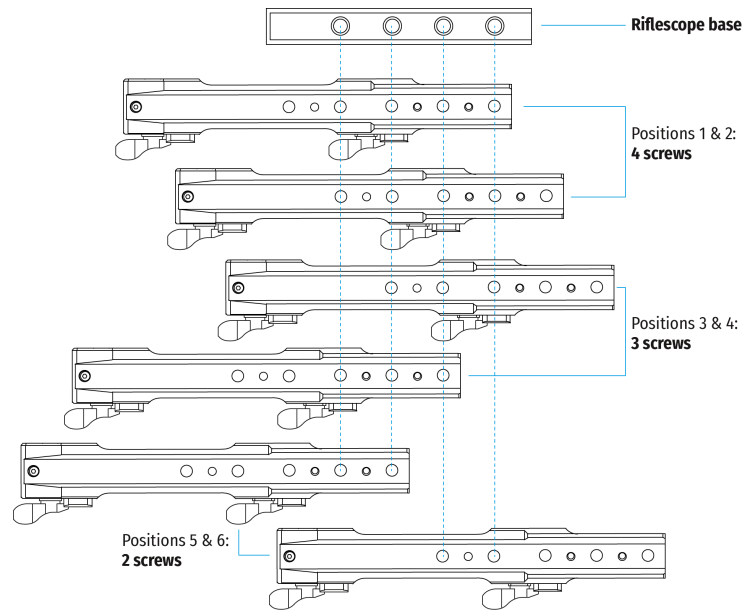
Mount position options

With adapters for a Talion riflescope

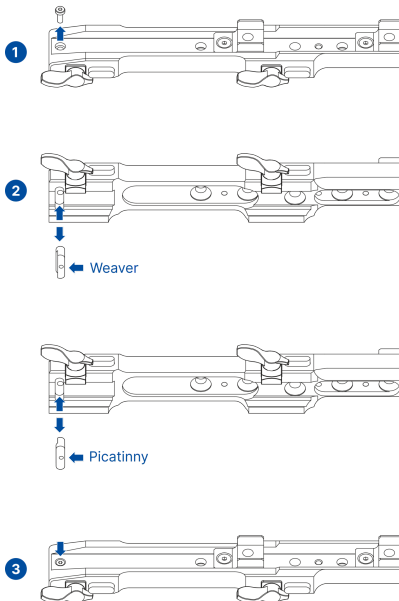
To ensure the optimal riflescope position on the mount, you can change the position of the adapters using a hex key S2.5.



Without adapters



Adjustment for Weaver/Picatinny rail



Legal Compliances and Disclaimers

Updates of the Product. The manufacturer reserves the right at any time, without mandatory prior notice to the Customer, to make changes to the package contents (subject to the applicable laws, if any), design and characteristics that do not impair the quality of the Product.

Limitation of Liability. Subject to mandatory applicable laws and regulations: manufacturer will not be liable for any claims, actions, suits, proceedings, costs, expenses, damages or liabilities (if any), arising out of the use of this product. Operation and use of the product are the sole responsibility of the Customer. Manufacturer's sole undertaking is limited to providing the product(s) and related services in accordance with the terms and conditions of concluded transactions, including provisions established in warranty. The provision of products sold and services performed by Manufacturer to the Customer shall not be interpreted, construed, or regarded, either expressly or implied, as being for the benefit of or creating any obligation toward any third party (other than Distributor, Dealer, Buyer). Manufacturer's liability hereunder for damages, regardless of the form or action, shall not exceed the fees or other charges paid to Manufacturer for the product(s) and/or service(s).

MANUFACTURER WILL NOT BE LIABLE FOR LOST REVENUES OR INDIRECT, SPECIAL, INCIDENTAL, CONSEQUENTIAL, EXEMPLARY, OR PUNITIVE DAMAGES, EVEN IF THE MANUFACTURER KNEW OR SHOULD HAVE KNOWN THAT SUCH DAMAGES WERE POSSIBLE AND EVEN IF DIRECT DAMAGES DO NOT SATISFY A REMEDY.

For technical support please contact support@pulsar-vision.com.

Answers to frequently asked questions about the devices can also be found in the [FAQ](#) section.